

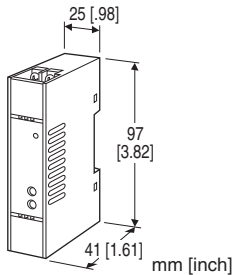
## Super-mini Terminal Block Signal Conditioners M5-UNIT

/Q: Option other than the above (specify the specification)

### ISOLATOR

#### Functions & Features

- Isolation of instrument unified signals (DC isolation between inputs and outputs)
- High-density mounting
- Power LED



### MODEL: M5YV-[1][2]-R[3]

### ORDERING INFORMATION

- Code number: M5YV-[1][2]-R[3]
- Specify a code from below for each of [1] through [3].  
(e.g. M5VS-6A-R/Q)
- Special input and output ranges (For codes Z, 0, 01 & 02)
- Specify the specification for option code /Q  
(e.g. /C01/VN/S01)

#### [1] INPUT

##### Current

A: 4 - 20 mA DC (Input resistance 249 Ω)

##### Voltage

6: 1 - 5 V DC (Input resistance 1 MΩ min.)

#### [2] OUTPUT

##### Current

A: 4 - 20 mA DC (Load resistance 550 Ω max.)

##### Voltage

6: 1 - 5 V DC (Load resistance 500 Ω min.)

#### POWER INPUT

##### DC Power

R: 24 V DC

(Operational voltage range 24 V ±10 %, ripple 10 %p-p max.)

#### [3] OPTIONS

##### Other Options

blank: none

### SPECIFICATIONS OF OPTION: Q (multiple selections)

#### COATING (For the detail, refer to M-System's web site.)

/C01: Silicone coating

/C02: Polyurethane coating

/C03: Rubber coating

#### ADJUSTMENT

/VN: Sealed adjustment holes

#### TERMINAL SCREW MATERIAL

/S01: Stainless steel

### GENERAL SPECIFICATIONS

**Construction:** Terminal block

**Connection:** M3.5 screw terminals (torque 0.8 N·m)

**Screw terminal:** Nickel-plated steel (standard) or stainless steel

**Housing material:** Flame-resistant resin (black)

**Isolation:** Input to output to power

**Overrange output:** Approx. -10 to +110 % at 1 - 5 V

**Zero adjustment:** -2 to +2 % (front)

**Span adjustment:** 98 to 102 % (front)

**Power indicator LED:** Green LED turns on when the power is supplied.

### INPUT SPECIFICATIONS

■ **DC Current:** Input resistor incorporated

■ **DC Voltage**

**Input resistance:** 1 MΩ min. (10 kΩ min. in power failure)

### INSTALLATION

#### Power consumption

• **DC:** Approx. 2 W

**Operating temperature:** -5 to +55°C (23 to 131°F)

**Operating humidity:** 0 to 90 %RH (non-condensing)

**Mounting:** DIN rail

**Weight:** 80 g (2.8 oz)

### PERFORMANCE in percentage of span

**Accuracy:** ±0.1 %

**Temp. coefficient:** ±0.015 %/°C (±0.008 %/°F)

**Response time:** ≤ 0.5 sec. (0 - 90 %)

**Line voltage effect:** ±0.1 % over voltage range

**Insulation resistance:** ≥ 100 MΩ with 500 V DC

**Dielectric strength:** 2000 V AC @1 minute (input to output to power to ground)

### STANDARDS & APPROVALS

**EU conformity:**

EMC Directive

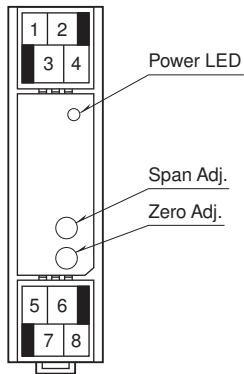
EMI EN 61000-6-4  
 EMS EN 61000-6-2

RoHS Directive

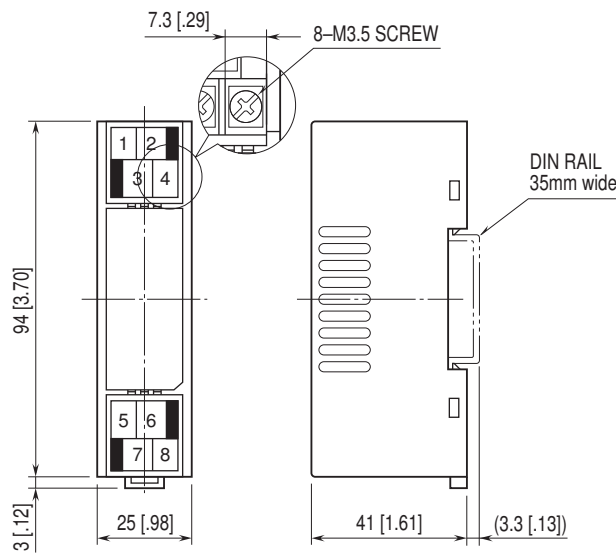
**UK conformity (UKCA):**

The UK legislations and designated standards are equivalent to the applicable EU directives.  
 (Refer to M-System's website for more information about the legislations and designated standards.)

**FRONT VIEW**

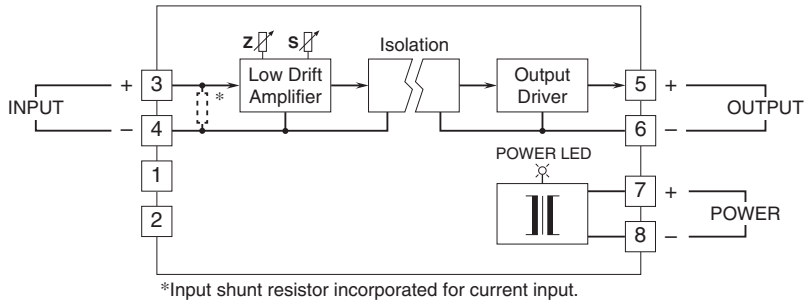


**EXTERNAL DIMENSIONS & TERMINAL ASSIGNMENTS unit: mm [inch]**



• When mounting, no extra space is needed between units.

**SCHEMATIC CIRCUITRY & CONNECTION DIAGRAM**



Specifications are subject to change without notice.