

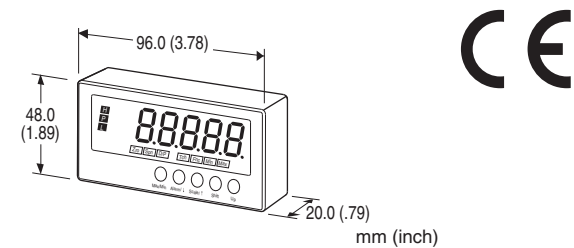
## Digital Panel Meters 47NL Series

### CURRENT LOOP SUPPLY DIGITAL PANEL METER

(4 1/2 digit, LED display type)

#### Functions & Features

- 4 1/2 digit current loop supply digital panel meter
- Moving average function to suppress the display flickering
- Scaling, forced zero, low-end cutout
- Switchable between linear and square root extraction
- Max. and Min. value display
- Photo MOSFET relay alarm output



### MODEL: 47NLDY-[1]-R[2]

#### ORDERING INFORMATION

- Code number: 47NLDY-[1]-R[2]

Specify a code from below for each of [1] and [2].

- (e.g. 47NLDY-B-R/Q)
- Specify the specification for option code /Q (e.g. /SET)

#### INPUT

##### Current

4 - 20 mA DC (Input resistance 250 Ω)

#### [1] DISPLAY COLOR

- R: Red
- YR: Orange
- G: Green
- B: Blue
- W: White

#### POWER INPUT

##### DC Power

R: 24 V DC  
(Operational voltage range 24 V ±10 %, ripple 10 %p-p max.)

#### [2] OPTIONS

- blank: none
- /Q: With options (specify the specification)

#### SPECIFICATIONS OF OPTION: Q

##### EX-FACTORY SETTING

/SET: Preset according to the Ordering Information Sheet (No. ESU-9567)

#### GENERAL SPECIFICATIONS

**Construction:** Panel mount type

**Degree of protection:** IP66; Applicable to the front of the panel meter mounted according to the specified panel cutout. Only screw mounting conforms.

**Connection:** Screwless spring terminal

**Applicable wire size:** 0.2 to 0.5 mm<sup>2</sup>, stripped length 6 mm

**Housing material:** Flame-resistant resin (gray)

**Isolation:** Input to alarm output to power

**Setting:** (Front button)

- Scaled range
- Linear, square root extraction
- Moving average
- Low-end cutout
- Others

(Refer to the instruction manual for details)

**Averaging:** None or moving average

**Lockout setting:** Prohibiting certain operations; protecting settings

#### DISPLAY

**Display:** 16 mm (.63) high, 4 1/2 digits, 7-segment LED

**Display range:** -19999 to 19999

**Decimal point position:** 10<sup>-1</sup>, 10<sup>-2</sup>, 10<sup>-3</sup>, 10<sup>-4</sup> or none

**Zero indication:** Higher-digit zeros are suppressed.

**Over-range indication:** '-19999' or '19999' blinking for display values out of the display range.

'S.ERR' and 'Min' or 'Max' blinking when the input signal is out of the usable range.

**Overload indication:** 'O.L.' and 'Max' blinking when input overload.

##### Alarm status indication

**L indicator:** Green turns on when the L alarm is tripped.

**H indicator:** Red turns on when the H alarm is tripped.

**P indicator:** Amber turns on when none of the other alarms is tripped.

Only 'P' turns on when no-alarm is selected with alarm setpoint.

##### Function indicators:

Zro, Spn, D/P, Tch, Fnc, Min, Max

Display mode status and operation status, amber ON or blink

**Engineering unit indication:** Sticker label attached

DC, AC, mV, V, kV, μA, mA, A, kA, mW, W,

kW, var, kvar, Mvar, VA, Hz, Ω, kΩ, MΩ,

cm, mm, m, m/sec, mm/min, cm/min, m/min,

m/h, m/s<sup>2</sup>, inch, ℓ, ℓ/s, ℓ/min, ℓ/h, m<sup>3</sup>, m<sup>3</sup>/sec,  
 m<sup>3</sup>/min, m<sup>3</sup>/h, Nm<sup>3</sup>/h, N·m, N/m<sup>2</sup>, g, kg, kg/h,  
 N, kN, Pa, kPa, MPa, t, t/h, °C, °F, %RH, J,  
 kJ, MJ, rpm, sec, min, pH, %, ppm, etc.

RoHS Directive

## SUPPLY OUTPUT

(across the terminals 1 - 2)

### Output voltage:

24 - 28 V DC max. with no load

18 V DC min. at 20 mA no load

**Current rating:** ≤ 22 mA DC

- **Shortcircuit Protection**

**Current limited:** 35 mA max.

**Protected time duration:** No limit

## INPUT SPECIFICATIONS

■ **DC Current:** Input resistor incorporated

**Usable range:** 4.00 - 20.00 mA DC

(Conformance range: -20 - +120 % of usable range)

## OUTPUT SPECIFICATIONS

■ **Alarm Output:** Photo MOSFET Relay

Rating: 26.4 V DC @ 100 mA (resistive load)

ON resistance: ≤ 5 Ω

## INSTALLATION

### Power consumption

- **DC:** 2.2 W max.

**Operating temperature:** -10 to +55°C (14 to 131°F)

**Operating humidity:** 10 to 90 %RH (non-condensing)

**Mounting:** Magnet or screw mounting

**Weight:** 85 g (3.0 oz)

## PERFORMANCE

### Accuracy

**Display:** ±0.1 % ± 1 digit

(Input within 1 - 100 % for square root extraction)

**Temp. coefficient:** ±0.015 %/°C (±0.008 %/°F)

**Response time:** ≤ 0.5 sec.

(alarm output: 0 - 100 % at 90 % setpoint)

**Line voltage effect:** ±0.1 % over voltage range

**Insulation resistance:** ≥ 100 MΩ with 500 V DC

**Dielectric strength:** 1500 V AC @ 1 minute (input to alarm  
 output to power to ground)

## STANDARDS & APPROVALS

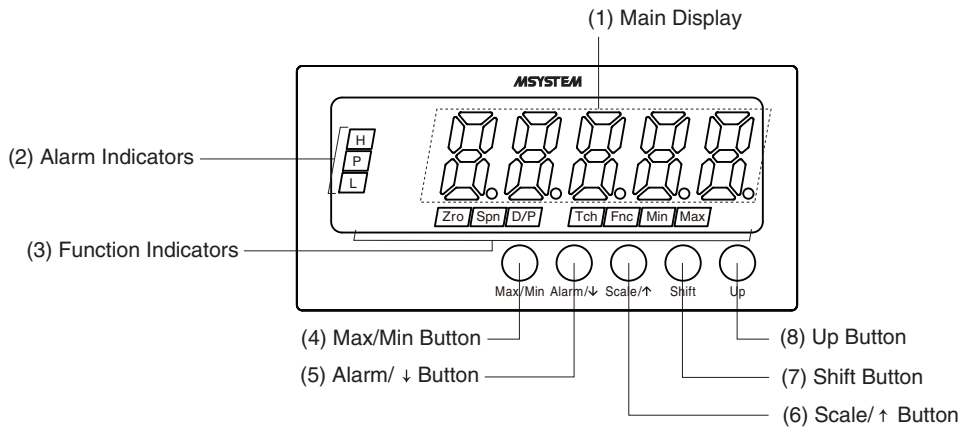
### EU conformity:

EMC Directive

EMI EN 61000-6-4

EMS EN 61000-6-2

## EXTERNAL VIEW



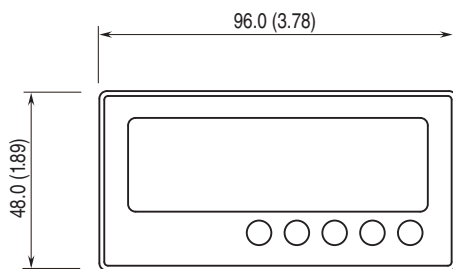
### COMPONENT IDENTIFICATION

No.	COMPONENT	FUNCTION
(1)	Main display	Indicates present values, setting values and status of the unit.
(2)	Alarm indicators	Indicates the comparison result between alarm setting values and present values.
(3)	Function indicators	Indicates the status in each setting mode.
(4)	Max/Min button	Used to switch the main display to show the present values, maximum values or minimum values.
(5)	Alarm/↓ button	Used to check the alarm setpoints, to move on to the alarm and other setting modes; or to shift through setting items in each setting mode.
(6)	Scale/↑ button	Used to move on to the scaling and other setting modes; or to shift through setting items in each setting mode.
(7)	Shift button	Used to move on to the setting standby status of each setting mode or to shift through display digits in each setting item.
(8)	Up button	Used to change setting values, to execute/cancel Forced Zero or to select setting values.

Note: Refer to the operating manual for details on each function.

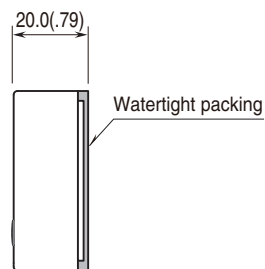
## EXTERNAL DIMENSIONS & TERMINAL ASSIGNMENTS unit: mm (inch)

### FRONT VIEW

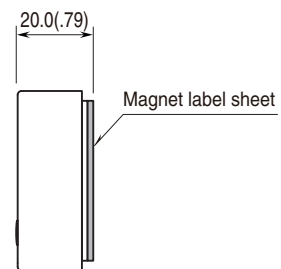


### SIDE VIEW

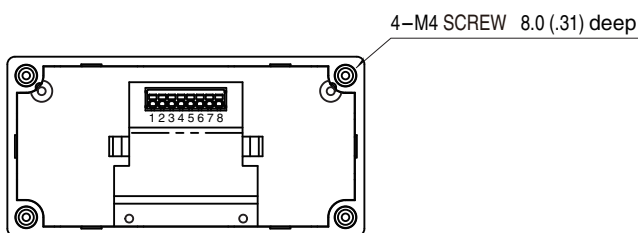
#### • SCREW MOUNTING



#### • MAGNET MOUNTING



### REAR VIEW



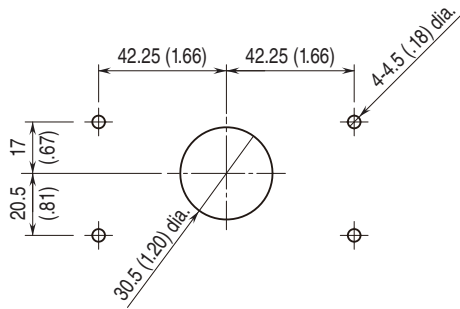
## MOUNTING REQUIREMENTS unit: mm (inch)

### ■ PANEL MOUNTING

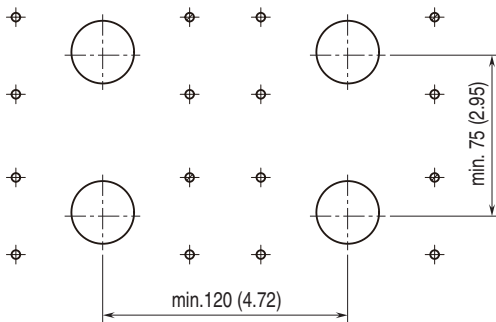
(Conform to degree of protection IP66)

Panel cutout must be such as M-System specified. Use watertight packing and unit fixing screws included in the product package.

#### • Single Mounting unit: mm (inch)



#### • Clustered Mounting unit: mm (inch)



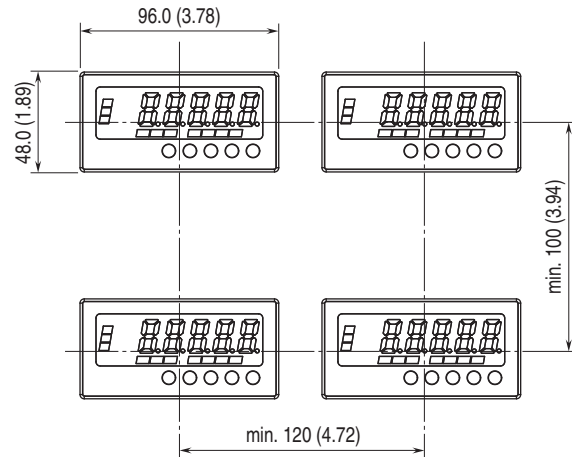
Panel thickness: 1.0 to 3.2 mm

### ■ MAGNET MOUNTING

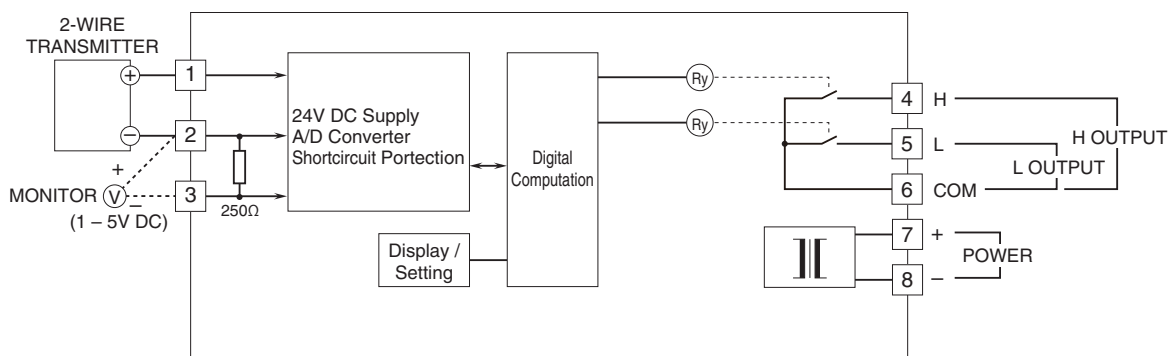
(Not conform to degree of protection IP66)

Panel cutout is not required. Use magnet sheet and stopper included in the product package.

#### • Clustered Mounting unit: mm (inch)



## SCHEMATIC CIRCUITRY & CONNECTION DIAGRAM



Specifications are subject to change without notice.