



Main

Range of product	Preventa XY2
Product or component type	Latching emergency stop trip wire switch
Device short name	XY2CE
Local signalling	Without pilot light
Reset	By key-release push-button
Contacts type and composition	1 NC + 1 NO
Trigger cable anchor point	LH side

Complementary

Number of cables	1
Trigger cable maximum length	70 m
Housing colour	Red RAL 3000
Key number	421
Auxiliary contacts operation	Slow-break
Connections - terminals	Screw clamp terminal, clamping capacity: 1 x 0.5...2 x 1.5 mm ²
Tightening torque	0.8...1.2 N.m
Cable entry number	2 plain hole with blanking plug 1 plain hole (ISO M20) for cable gland
Marking	II2 D-Ex tb IIIC T85°C Db IP65
Safety level	Can reach category 4 with the appropriate monitoring system and correctly wired conforming to EN/ISO 13849-1 Can reach PL = e with the appropriate monitoring system and correctly wired conforming to EN/ISO 13849-1 Can reach SIL 3 conforming to EN/IEC 61508
Safety reliability data	B10d = 300000 value given for a life time of 20 years limited by mechanical or contact wear
Mechanical durability	60000 cycles
Distance between cable supports	10 m
[I _e] rated operational current	3 A at 240 V AC-15, A300 conforming to EN/IEC 60947-5-1 appendix A 0.27 A at 250 V DC-13, Q300 conforming to EN/IEC 60947-5-1 appendix A
[I _{th}] conventional enclosed thermal current	10 A
[U _i] rated insulation voltage	300 V conforming to CSA C22.2 No 14 400 V, degree of pollution 3 conforming to EN/IEC 60947-1 300 V conforming to UL 508
[U _{imp}] rated impulse withstand voltage	4 kV
Positive opening	With, conforming to EN/IEC 60947-5-1 section 3
Resistance across terminals	<= 25 MOhm conforming to NF C 93-050 method A <= 25 MOhm conforming to EN/IEC 60255-7 category 3
Short-circuit protection	10 A cartridge fuse type gG conforming to EN/IEC 60269
Width	195 mm
Depth	105 mm
Height	142 mm

Environment

Standards	EN/IEC 60079-0 EN/IEC 60079-31
Directives	2014/34/EU - ATEX directive
Dust zone	Zone 21 - 22
Product certifications	INERIS 04ATEX0015 IEC-Ex INE 16.0001X
Protective treatment	TC
Ambient air temperature for operation	-20...60 °C
Ambient air temperature for storage	-40...70 °C
Vibration resistance	10 gn (10...300 Hz) conforming to EN/IEC 60068-2-6
Shock resistance	50 gn for 11 ms conforming to EN/IEC 60068-2-27
Electrical shock protection class	Class I conforming to EN/IEC 61140 Class I conforming to NF C 20-030
IP degree of protection	IP65

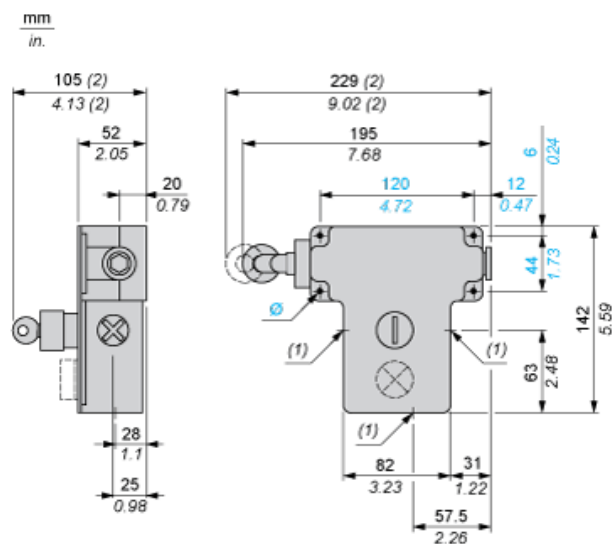
Offer Sustainability

Sustainable offer status	Green Premium product
RoHS (date code: YYWW)	Compliant - since 0931 - Schneider Electric declaration of conformity Schneider Electric declaration of conformity
REACH	Reference not containing SVHC above the threshold
Product environmental profile	Available Product Environmental
Product end of life instructions	Need no specific recycling operations

Contractual warranty

Warranty period	18 months 18 months
-----------------	---------------------

Dimensions



- (1) 3 plain holes for Pg 13.5 cable gland.
- (2) Maximum extension.
- Ø 4 elongated holes Ø 6 mm/0.24 in.

Electrical Curves

AC Supply 50/60 Hz Inductive Circuit

2-pole Contact Block



Y Millions of operating cycles
X Current in A

DC Supply Power Broken in for 1 Million Operating Cycles Inductive Circuit

Voltage	V	24	48	120
P_{max}	W	13	9	7