

## Main

Range of product	OsiSense XS ATEX D
Series name	Application
Sensor type	Inductive proximity sensor
Device application	ATEX dust
Sensor name	XSP
Sensor design	Cylindrical M18
Size	41 mm
Body type	Fixed
Detector flush mounting acceptance	Non flush mountable
Material	Plastic
Enclosure material	Plastic
[Sn] nominal sensing distance	8 mm
Type of output signal	Discrete
Wiring technique	2-wire
Discrete output function	1 NC
Output circuit type	DC
Discrete output type	Namur
Electrical connection	Cable
Cable length	2 m
[Us] rated supply voltage	7...12 V DC
Switching capacity in mA	<= 1 mA
IP degree of protection	IP67 conforming to IEC 60529

## Complementary

Thread type	M18 x 1
Detection face	Frontal
Front material	PPS
Operating zone	0...6.4 mm
Cable composition	2 x 0.34 mm <sup>2</sup>
Wire insulation material	PvR
Status LED	1 LED red (output state)
Residual current	<= 3 mA open state
Switching frequency	<= 300 Hz
Marking	II1 D-Ex ia IIIC T85°C Da IP66/67
Threaded length	29 mm
Height	18 mm
Length	41 mm

## Environment

Standards	EN/IEC 60079-0 EN/IEC 60079-11
Directives	94/9/EC - ATEX directive
Product certifications	INERIS 04ATEX0016X
Ambient air temperature for operation	-20...60 °C
Dust zone	Zone 20

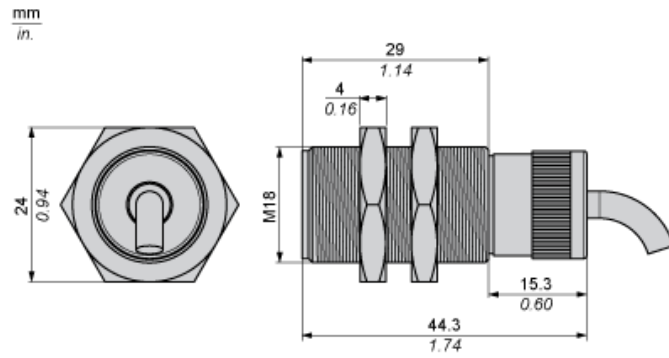
## Offer Sustainability

RoHS (date code: YYWW)	Will not be compliant
------------------------	-----------------------

## Contractual warranty

Warranty period	18 months 18 months
-----------------	---------------------

Dimensions



---

Minimum Mounting Distances

---

Side by side



e (1) 10 mm/0.39 in.

≥

Face to face



e (2) 60 mm/2.36 in.

≥

Facing a metal object



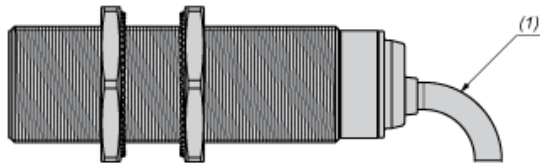
e (3) 15 mm/0.60 in.

≥

---

Mounting

---



(1) Bending cable: 4 x external cable diameter

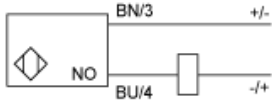
---

Wiring Schemes

---

2-Wire Non-polarised

NO output



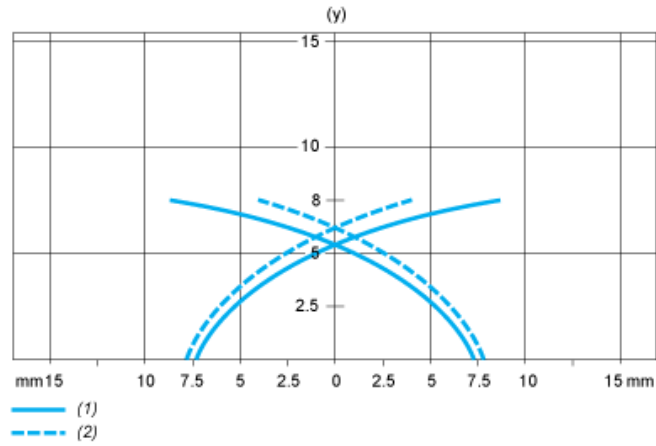
BU : Blue  
BN : Brown

---

Performance Curves

---

Standard Steel Target : 24x24x1 mm



- (1) Pick-up points
- (2) Drop-out points (object approaching from the side)
- (y) Sensing distance in mm