

<p>LIGHTNING SURGE PROTECTOR FOR RS-485 / RS-422 (ultra-slim)</p>	<p>MODEL MD74R</p>
--	---------------------------

BEFORE USE

Thank you for choosing M-System. Before use, please check contents of the package you received as outlined below. If you have any problems or questions with the product, please contact M-System's Sales Office or representatives.

■ PACKAGE INCLUDES:

Surge protector.....(1)

■ MODEL NO.

Confirm Model No. marking on the product to be exactly what you ordered.

■ INSTRUCTION MANUAL

This manual describes necessary points of caution when you use this product, including installation, connection and basic maintenance procedures.

LIMITATION APPLICABLE TO M-RESTER

The M-RESTER will protect electronics equipment from damage caused by lightning by absorbing most of the surge voltages.

However, M-RESTER may not be effective against certain extremely high voltages caused by a direct or almost direct hit by lightning.

M-RESTER must be installed according to this installation / instruction manual.

GENERAL

■ FUNCTION & FEATURES

- High discharge current capacity 20 kA (8 / 20 μs), 1 kA (10 / 350 μs)
- Ultra-thin 7-mm-wide module can be mounted in high density
- Excellent protection employing multi-stage SPD circuits
- DIN rail mounting and grounding
- Shield terminal provided

■ SPECIFICATIONS

See Table 1.

Table 1. Specifications

	LINE TO LINE	LINE TO SG	LINE/SG TO EARTH	SHLD TO EARTH
Max. continuous operating voltage (Uc)	±5V	5V	±160V	±160V *1
Voltage protection level (Up) @4kV (1.2 / 50 μs)	±25V	25V	±800V	±800V *1
Leakage current @Uc	≤ 200μA	≤ 200μA	≤ 10μA	≤ 10μA*1
Response time	≤ 4 nsec.	≤ 4 nsec.	≤ 20 nsec.	≤ 20 nsec.*1
Approx. capacitance @ 100 kHz	300 pF	300 pF	100 pF	100 pF
Max. discharge current (Imax)	20kA (8 / 20 μs), 1.0kA (10 / 350 μs)			
Nominal current (In)	100mA			
Internal series resistance	2Ω ±10% per line			
Input attenuation	-0.5 dB max. @DC...2.0 MHz, Z0 = 110Ω			

*1. Values for the MD74R-FF. Shortcircuited for the MD74R-FG.

POINTS OF CAUTION

■ ENVIRONMENT

- Indoor use.
- When heavy dust or metal particles are present in the air, install the unit inside proper housing with sufficient ventilation.
- Do not install the unit where it is subjected to continuous vibration. Do not subject the unit to physical impact.
- Environmental temperature must be within -25 to +85°C (-13 to +185°F) with relative humidity within 30 to 90% RH in order to ensure adequate life span and operation.
- This unit needs a DIN rail as earth grounding bar. Oxide coating of an aluminium rail may lower the electric conductivity between this module and the ground. Use a steel or copper rail.

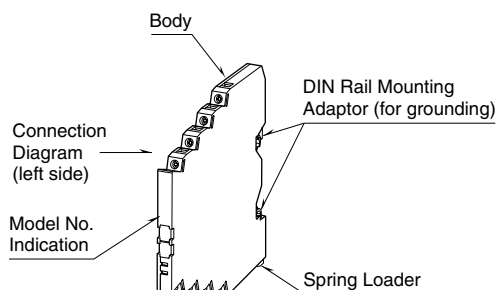
■ DIELECTRIC STRENGTH TESTING

- The surge protector starts discharging when 160V or greater voltage (with floating shield type) or several volts (with grounding shield type) is applied between lines and earth. Remove the grounding wire before conducting a test. Be sure to return the wire after the test.

■ AND

- We recommend that you keep spare surge protectors so that you can replace them when necessary.
- Lightning surge can enter not only through signal lines but also through power supply lines. We recommend that you also use the Lightning Surge Protector for Power Lines for adequate protection.

COMPONENT IDENTIFICATION

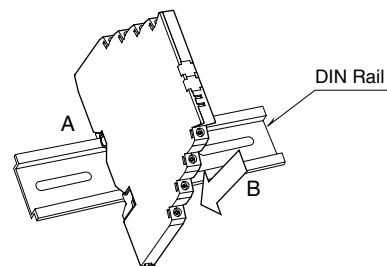


INSTALLATION

Mount the unit on a DIN rail. Once installed, do not move it to another DIN rail.

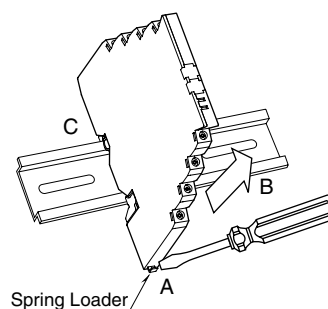
■ MOUNTING THE UNIT ON A DIN RAIL

- Hang the upper hook of the DIN rail mounting adaptor at the rear side of unit, on the DIN rail.
- Push in the lower in keeping pressing the unit to the DIN rail.
- DIN rails generally have slight individual variability in size. If you find it difficult to push in the lower part, go back to (A) and hang the upper part more deeply onto the rail and try (B) again.



■ REMOVING THE UNIT

- Push down the spring loader utilizing a minus screwdriver.
- Confirm that it is pulled enough down and pull out the lower part of the unit.
- Detach the upper part from the DIN rail.



TERMINAL CONNECTION

Connect the unit as in the diagram below.

Be sure to ground the DIN rail on which the unit is mounted and cross-wire between the rail and FG terminal of the protected device as shown in Figure 1 in order to equalize the earth potential.

When the unit is connected with a device which has no FG terminal, ground the surge protector only.

EXTERNAL DIMENSIONS unit: mm (inch)

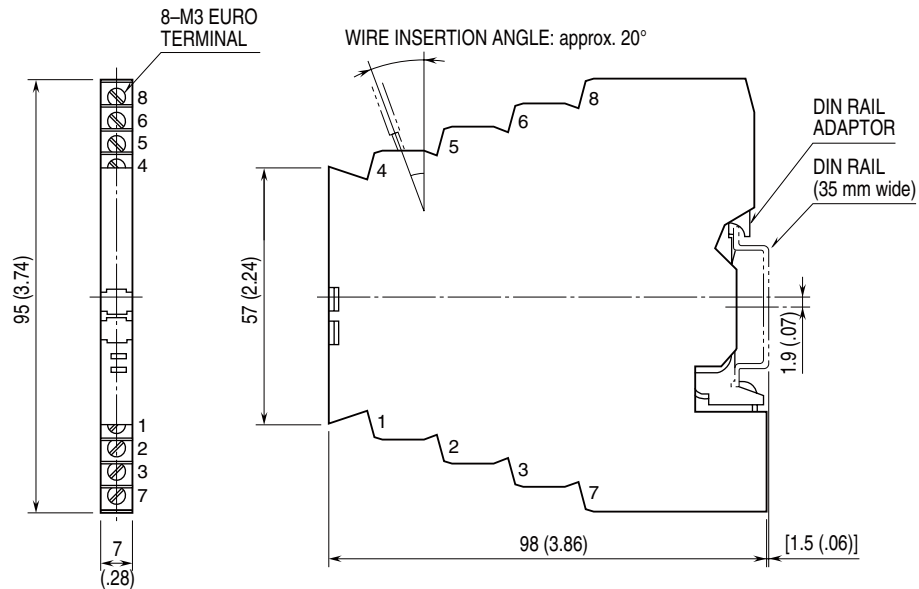
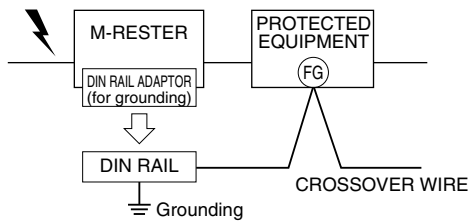


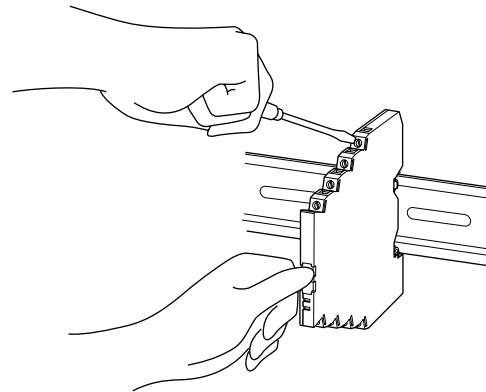
Figure 1. GROUNDING



Cross-wire from the DIN rail to the metal housing of the protected device to equalize the ground potential.

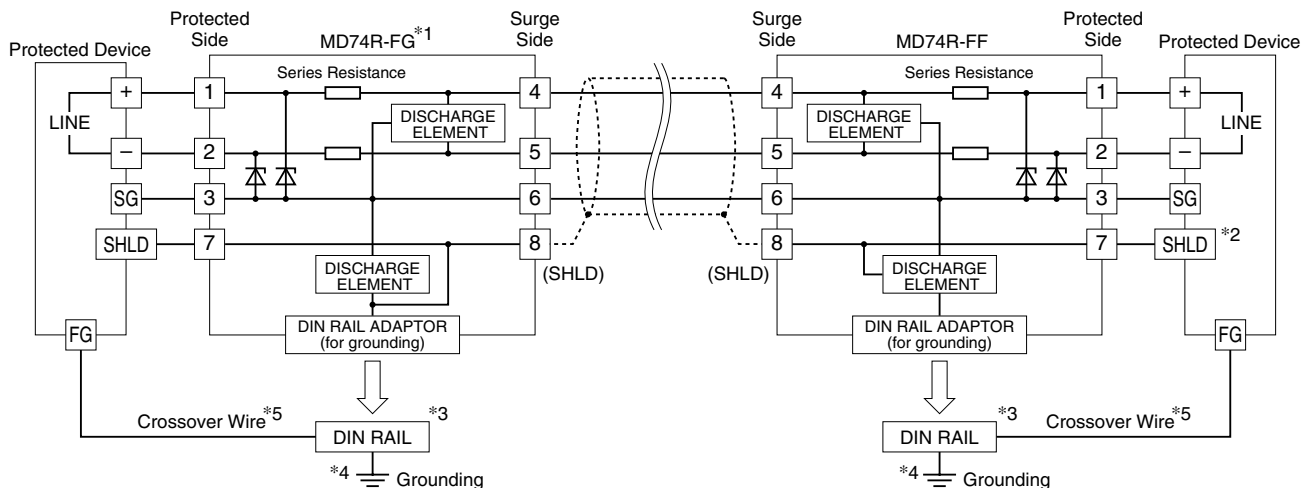
Ground only the surge protector when the protected device has no grounding terminal.

CAUTION WHEN WIRING



Hold the module steady at the front when you tighten/loosen screw terminals.

CONNECTION DIAGRAM



*1. Choose the MD74R-FG when the shield wire is to be grounded.

*2. When SHLD and SG terminals are not isolated, DO NOT connect the surge protector's terminal 7 to SHLD.

*3. Oxide film on the surface of an aluminium rail may lower the electric conductivity between this module and the ground. Use a steel or copper rail.

*4. Be sure to ground the DIN rail. Recommended grounding resistance max. 100 ohms.

*5. Cross-wire from the DIN rail to the metal housing of the protected device to equalize the ground potential. Ground only the surge protector when the protected device has no grounding terminal.

WIRING INSTRUCTIONS

EURO TERMINAL

Torque: 0.3 N·m

Applicable wire size: 0.2 – 2.5 mm²

Stripped length: 8 mm

When measuring across (4) – (6) and (5) – (6), connect the tester's probe so that the positive voltage is applied to (4) and (5) respectively.

For the MD74R-FG, (8) – (DIN rail) should show approx. 0 Ω.

- 3) Confirm conduction across the same terminals with a 500 V DC 1000 MΩ insulation tester in the same manner as with the tester. The tester should show 20 MΩ or less.
- 4) If any of the above tests shows negative, please contact M-System's Sales Office or representatives.

MAINTENANCE

Check surge protectors periodically. Many cases of lightning are ignored, and even lightning at a far distance often causes inductive surges.

We recommend that you check your surge protector about twice a year, before and after the rainy season. Check whenever you experience a strong lightning occurrence.

Checking procedure is explained in the following:

CHECKING

WIRING

- 1) Make sure that wiring is done as instructed in the connection diagram.
- 2) Make sure that the DIN rail is connected to the metal enclosure of protected device.
- 3) Make sure that the surge protector is securely attached to the DIN rail, and that the rail is grounded to earth.

DISCHARGE ELEMENT

Preliminary checking can be conducted as following.

For detailed checking, send the surge protector back to M-System.

- 1) Remove all wiring connected to the surge protector when you test the module.
- 2) Check resistance across the following terminals on the high resistance range of multimeter (measuring current $\leq 0.25 \mu\text{A}$) and confirm no conduction.
 - Terminals (4) – (5), (4) – (6), (5) – (6),
 - (6) – (DIN rail), (8) – (DIN rail)

The tester should show 1 MΩ or greater at (4) – (5), (4) – (6), (5) – (6) and 10 MΩ or more at other terminals.