

## 47NL Series Ultra-slim Digital Panel Meter

Flat Rear Surface Stuck to the Panel with a Magnet !

- 96 x 48 mm
- Large 16 mm-high LED display: Bright and colorful
- Mountable on standard 30 mm round panel cutout
- IP 66 (except for magnet mounting)
- Moving average function to suppress display flickering
- High/low alarm trips
- Short-depth flat type

ACTUAL  
SIZE

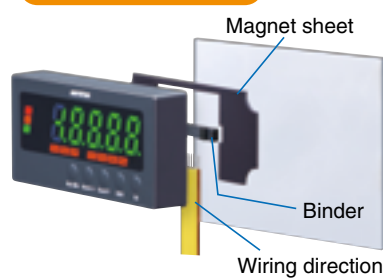


CE

### TENSION-CLAMP TERMINAL BLOCK TYPE



#### MAGNET MOUNTING



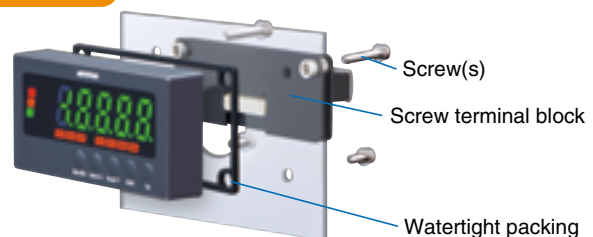
#### SCREW MOUNTING



### SCREW TERMINAL BLOCK TYPE



#### SCREW MOUNTING



## 47NL Series Ultra-slim Digital Panel Meter

M-System 47NL Series is a 1/8 DIN size (96 x 48 mm), 4 or 4 1/2 digit process meter.

The ultra-slim – only 18.5 mm (.73”) thick – meter can be mounted on the panel surface, with no protrusion behind the panel except wires for electrical connection. It supports standard 30 mm circular panel cutout – the same size on which push-buttons and indicator lights are mounted. Typical drills found at production sites can be used to drill the holes into the panel, saving on the cost and time for installation.

Compared to conventional panel meters, the 47NL Series can dramatically reduce installation space in the control panel. Electrical wires connected to the tension-clamp terminals at the rear of the model 47NLx can be directed downward so that its flat rear surface can be stuck to the panel surface even with a magnet. For users preferring barrier strip screw terminal block, the model 47NLxT can be quickly connected with the dedicated wire harness to the separate terminal block at the rear of the panel.

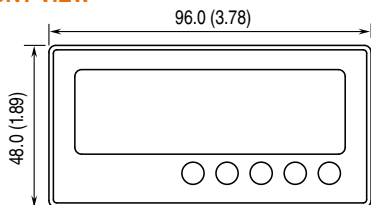
High/low limit alarm outputs are available (except for loop powered types).

### SPECIFICATIONS

Input type	Loop powered, indication only	DC voltage/current	2-wire transmitter input	RTD input
Model No.	47NLN 47NLNT	47NLV 47NLVT	47NLDY 47NLDYT	47NLR 47NLRT
Input	4-20 mA Voltage drop Approx. 6.3 V with 4 mA Approx. 6.5 V with 20 mA	4-20 mA, 0-20 mA, 0-10 V, 0-5 V, 1-5 V, ±10 V, ±5 V	4-20 mA Supply output 24-28 V DC max. with no load Current rating ≤22 mA DC	Pt 100, Pt 50, Pt 1000, JPt 100
Display color	Red, Green	Red, Orange, Green, Blue, White		
Display range	-19999 to 19999 (4 1/2 digits)			-9999 to 9999 (4 digits)
Decimal point position	10 <sup>-1</sup> , 10 <sup>-2</sup> , 10 <sup>-3</sup> , 10 <sup>-4</sup> or none			10 <sup>-1</sup> or none
Alarm output	---	Photo MOSFET relay 26.4 V DC @100 mA (resistive load)		
Power input	Not required	24 V DC, 0.7 W max.	24 V DC, 2.2 W max.	24 V DC, 0.7 W max.

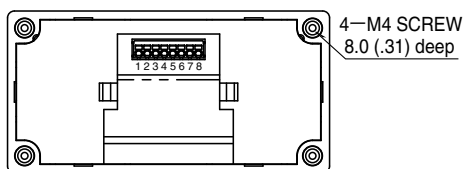
### EXTERNAL DIMENSIONS unit: mm (inch)

#### FRONT VIEW

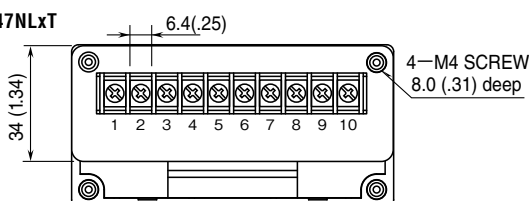


#### REAR VIEW

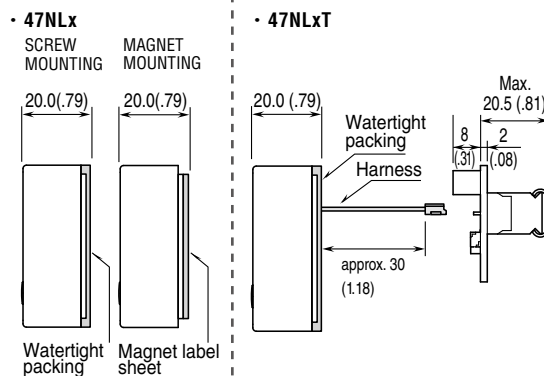
##### • 47NLx



##### • 47NLxT



#### SIDE VIEW



Your local representative: