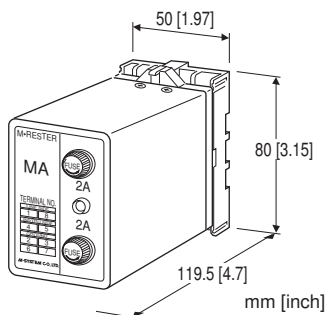


Lightning Surge Protectors for Electronics Equipment M-RESTER

LIGHTNING SURGE PROTECTOR FOR POWER SUPPLY (2 A, 200 / 220 / 240 V AC)

Functions & Features

- Designed specifically for AC power supplies up to 2 amps
- No degradation of normal (50/60 Hz) line frequency
- Power indicator lamp provided



MODEL: MA-200[1]

ORDERING INFORMATION

- Code number: MA-200[1]
- Specify a code from below for [1].
(e.g. MA-200/CE)

[1] OPTIONS

Standards & Approvals

- blank: Without CE
/CE: CE marking

GENERAL SPECIFICATIONS

- Construction:** Plug-in
Connection: M3.5 screw terminals (torque 0.8 N·m)
Screw terminal: Chromated steel
Housing material: Flame-resistant resin (black)
Monitor lamp: Red neon lamp turns on when the power is supplied.

INSTALLATION

- Operating temperature:** -5 to +55°C (23 to 131°F)
Operating humidity: 30 to 90 %RH (non-condensing)
Mounting: Surface or DIN rail
Weight: 330 g (0.73 lb)

PERFORMANCE

Discharge voltage (peak voltage)

- Line to line: 410 V min.
Line to ground: 410 V min.

Maximum surge voltage

- Line to line: 700 V max.
Line to ground: 700 V max.

(The maximum voltage that could pass through M-RESTER. Protected equipment must be able to withstand this voltage for very short time period.)

Response time: ≤ 0.1 μsec.

Leakage current

- Line to line: ≤ 1 mA @ 300 V DC
Line to ground: ≤ 1 mA @ 300 V DC

Max. discharge current (I_{max}): 1000 A (8/ 20 μsec.)

Max. load current: 2 A

Voltage drop: ≤ 2 V (50/60 Hz)

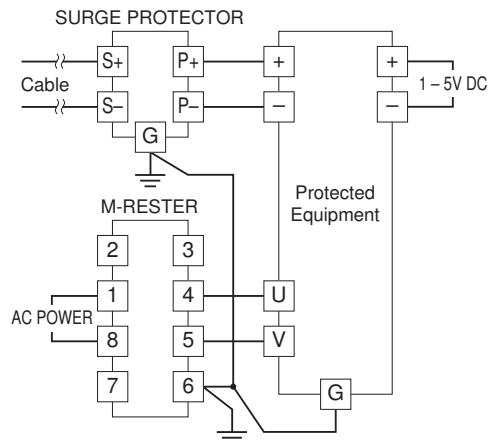
Rated line voltage: 200 V / 220 V / 240 V AC

STANDARDS & APPROVALS

EU conformity:

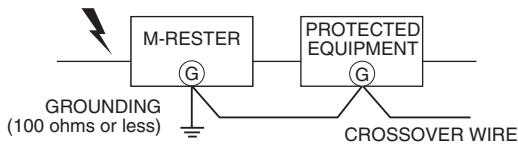
- EMC Directive
 EMI EN 61000-6-4
 EMS EN 61000-6-2
 Low Voltage Directive
 EN 61010-1
 Installation Category II
 Pollution Degree 2
 RoHS Directive

CONNECTION EXAMPLES



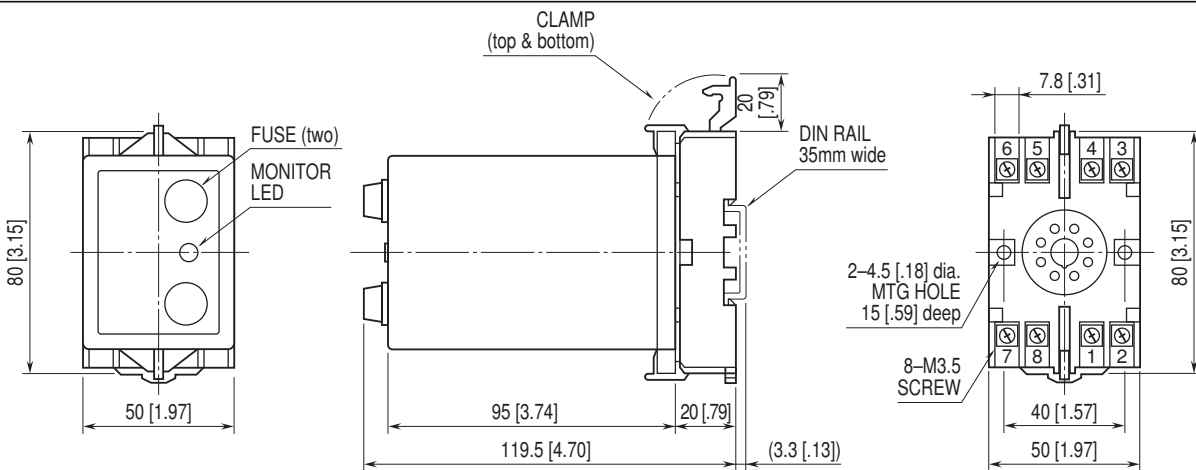
Ground one of the terminals 2, 3, 6 and 7.

GROUNDING



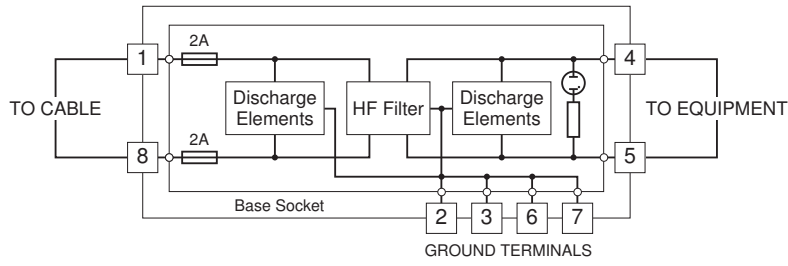
A crossover wire between M-RESTER ground and ground or metallic housing of equipment is required for protection.
If the protected equipment has no ground terminal, ground the M-RESTER only.

EXTERNAL DIMENSIONS & TERMINAL ASSIGNMENT unit: mm [inch]



• When mounting, no extra space is needed between units.

SCHEMATIC CIRCUITRY



Specifications are subject to change without notice.