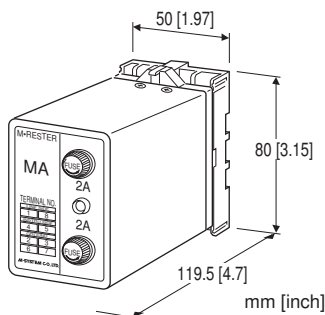


Lightning Surge Protectors for Electronics Equipment M-RESTER

LIGHTNING SURGE PROTECTOR FOR POWER SUPPLY (2 A, 100 / 110 / 120 V AC)

Functions & Features

- Designed specifically for AC power supplies up to 2 amps
- No degradation of normal (50/60 Hz) line frequency
- Power indicator lamp provided



MODEL: MA-100[1]

ORDERING INFORMATION

- Code number: MA-100[1]
- Specify a code from below for [1].
(e.g. MA-100/CE)

[1] OPTIONS

Standards & Approvals

blank: Without CE
/CE: CE marking

GENERAL SPECIFICATIONS

Construction: Plug-in
Connection: M3.5 screw terminals (torque 0.8 N·m)
Screw terminal: Chromated steel
Housing material: Flame-resistant resin (black)
Monitor lamp: Green neon lamp turns on when the power is supplied.

INSTALLATION

Operating temperature: -5 to +55°C (23 to 131°F)
Operating humidity: 30 to 90 %RH (non-condensing)
Mounting: Surface or DIN rail
Weight: 330 g (0.73 lb)

PERFORMANCE

Discharge voltage (peak voltage)

Line to line: 190 V min.
Line to ground: 410 V min.

Maximum surge voltage

Line to line: 350 V max.
Line to ground: 700 V max.

(The maximum voltage that could pass through M-RESTER. Protected equipment must be able to withstand this voltage for very short time period.)

Response time: $\leq 0.1 \mu\text{sec}$.

Leakage current

Line to line: $\leq 1 \text{ mA}$ at 150 V DC
Line to ground: $\leq 1 \text{ mA}$ at 300 V DC

Max. discharge current (I_{max}): 1000 A (8/ 20 μsec .)

Max. load current: 2 A

Voltage drop: $\leq 2 \text{ V}$ (50/60 Hz)

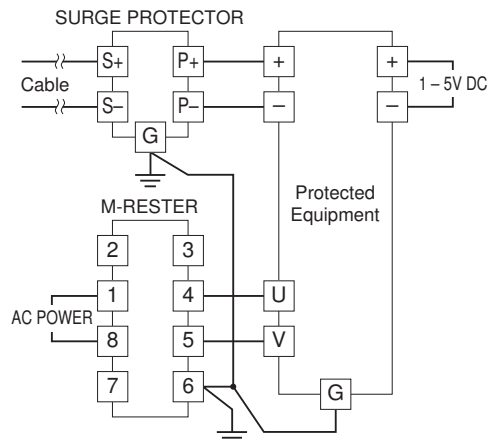
Rated line voltage: 100 V / 110 V / 120 V AC

STANDARDS & APPROVALS

EU conformity:

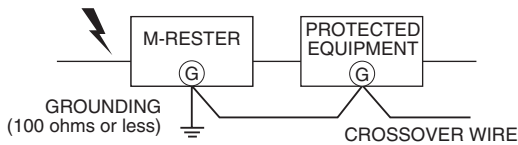
EMC Directive
EMI EN 61000-6-4
EMS EN 61000-6-2
Low Voltage Directive
EN 61010-1
Installation Category II
Pollution Degree 2
RoHS Directive

CONNECTION EXAMPLES



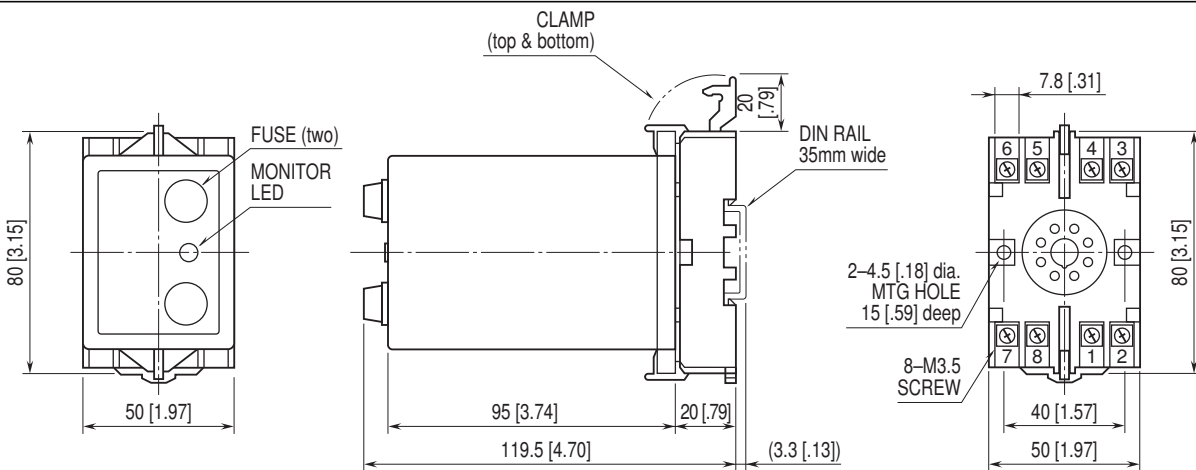
Ground one of the terminals 2, 3, 6 and 7.

GROUNDING



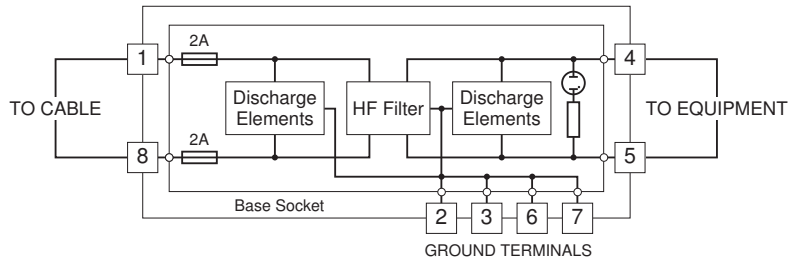
A crossover wire between M-RESTER ground and ground or metallic housing of equipment is required for protection.
If the protected equipment has no ground terminal, ground the M-RESTER only.

EXTERNAL DIMENSIONS & TERMINAL ASSIGNMENT unit: mm [inch]



• When mounting, no extra space is needed between units.

SCHEMATIC CIRCUITRY



Specifications are subject to change without notice.