

Limit switches

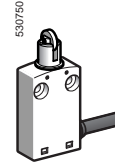
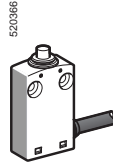
OsiSense XC Basic

Miniature design, plastic, type XCMN

1

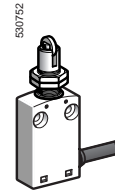
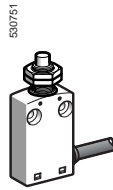
■ XCMN
pre-cabled

□ With head for linear movement (plunger). Fixing by the body



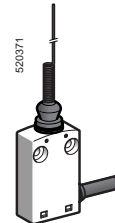
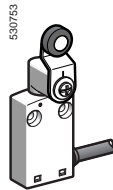
Page 1/28

□ With head for linear movement (plunger). Fixing by the head



Page 1/28

□ With head for rotary movement (lever) or multi-directional



Page 1/29

Environment characteristics

Conformity to standards	Products	IEC 60947-5-1, EN 60947-5-1, UL 508, CSA C22-2 n° 14
	Machine assemblies	IEC 60204-1, EN 60204-1
Product certifications		UL, CSA, CCC
Protective treatment	Standard version	"TC"
Ambient air temperature	For operation	- 25...+ 70°C
	For storage	- 40...+ 70°C
Vibration resistance	Conforming to IEC 60068-2-6	5 gn (10...500 Hz)
Shock resistance	Conforming to IEC 60068-2-27	25 gn (18 ms)
Electric shock protection		Class II conforming to IEC 61140 and NF C 20030
Degree of protection		IP 65 conforming to IEC 60529; IK 04 conforming to EN 50102
Materials	Bodies	Plastic
	Heads	Zamak

Contact block characteristics

Rated operational characteristics	~ AC-15; B300 (Ue = 240 V, Ie = 1.5 A); Ithe = 6 A
	⋯ DC-13; R300 (Ue = 250 V, Ie = 0.1 A), conforming to IEC 60947-5-1 Appendix A, EN 60947-5-1
Rated insulation voltage	Ui = 400 V degree of pollution 3 conforming to IEC 60947-1 Ui = 300 V conforming to UL 508, CSA C22-2 n° 14
Rated impulse withstand voltage	U imp = 4 kV conforming to IEC 60947-1, IEC 60664
Short-circuit protection	6 A cartridge fuse type gG (gl)

Limit switches

OsiSense XC Basic

Miniature design, plastic, type XCMN

Pre-cabled

1

Type of head	Plunger (fixing by the body)				Plunger (fixing by the head)		

Type of operator	Metal end plunger	Steel roller plunger for lateral cam approach	Steel roller plunger for traverse cam approach	Thermoplastic roller lever plunger, horizontal actuation in 1 direction	M12 with metal end plunger	M12 with steel roller plunger for lateral cam approach	M12 with steel roller plunger for traverse cam approach
------------------	-------------------	---	--	---	----------------------------	--	---

References

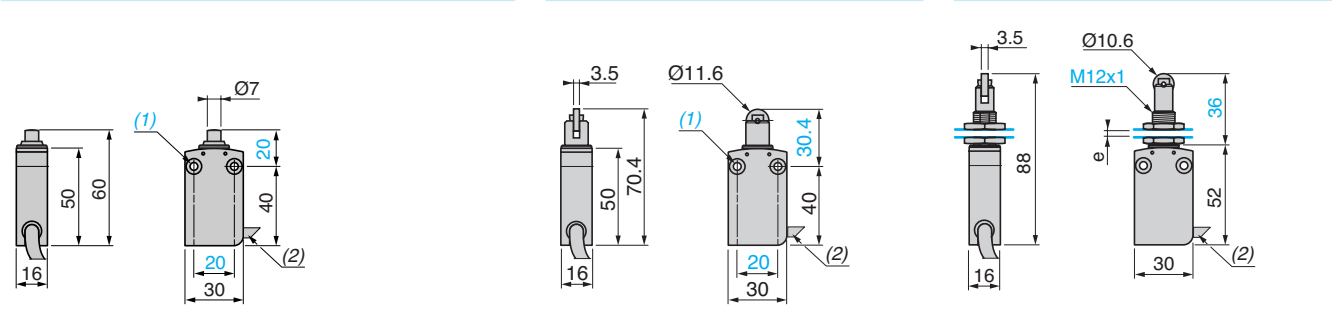
2-pole NC + NO snap action	XCMN2110L1	XCMN2102L1	XCMN2103L1	XCMN2121L1	XCMN21F0L1	XCMN21F2L1	XCMN21F3L1
Weight (kg)	0.080	0.080	0.080	0.090	0.065	0.095	0.095
Contact operation			(A) = cam displacement				
	closed				open		

Characteristics

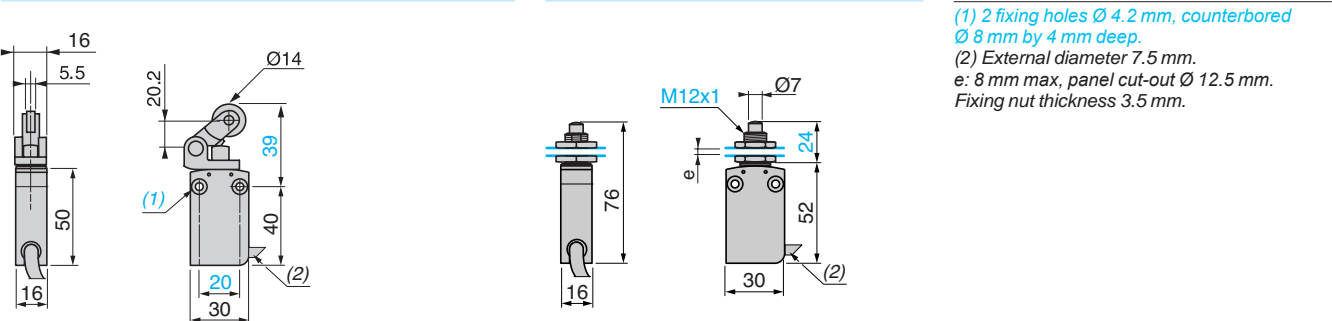
Switch actuation	On end	By 30° cam		On end	By 30° cam	
Type of actuation						
Maximum actuation speed	0.5 m/s	0.1 m/s	0.5 m/s	0.5 m/s	0.1 m/s	
Mechanical durability	5 million operating cycles					
Minimum force or torque	For tripping	8.5 N	7 N	2.5 N	8.5 N	7 N
	For positive opening	42.5 N	35 N	12.5 N	42.5 N	35 N
Cabling	PvR cable, 4 x 0.75 mm ² , length 1 metre					

Dimensions

XCMN2110L1	XCMN2102L1, XCMN2103L1	XCMN21F2L1, XCMN21F3L1
------------	------------------------	------------------------



XCMN2121L1	XCMN21F0L1
------------	------------



(1) 2 fixing holes Ø 4.2 mm, counterbored Ø 8 mm by 4 mm deep.
 (2) External diameter 7.5 mm.
 e: 8 mm max, panel cut-out Ø 12.5 mm.
 Fixing nut thickness 3.5 mm.

Limit switches

OsiSense XC Basic

Miniature design, plastic, type XCMN

Pre-cabled

Type of head	Rotary (fixing by the body)			Multi-directional	
Type of operator	Thermoplastic roller lever	Variable length thermoplastic roller lever	Round thermoplastic rod lever, Ø 6 mm (1)	Spring lever with thermoplastic end (1)	"Cat's whisker" (1)

References						
 BK BU BN BN BK-WH BK-WH	2-pole NC + NO snap action	XCMN2115L1	XCMN2145L1	XCMN2159L1	XCMN2107L1	XCMN2106L1
Weight (kg)		0.100	0.105	0.080	0.085	0.080
Contact operation		(A) = cam displacement (P) = positive opening point		NC contact with positive opening operation		
(1) Value taken with actuation by moving part at 100 mm from the fixing.						

Characteristics					
Switch actuation	By 30° cam			By any moving part	
Type of actuation					
Maximum actuation speed	1.5 m/s			1 m/s	1 m/s (any direction)
Mechanical durability	5 million operating cycles				
Minimum force or torque	For tripping	0.1 N.m			
	For positive opening	0.5 N.m	-	-	-
Cablings	PvR cable, 4 x 0.75 mm ² , length 1 metre				

Dimensions

XCMN2115L1	XCMN2159L1	XCMN2107L1
XCMN2145L1	XCMN2106L1	

(1) 2 fixing holes Ø 4.2 mm, counterbored Ø 8 mm by 4 mm deep.
 (2) External diameter 7.5 mm.