

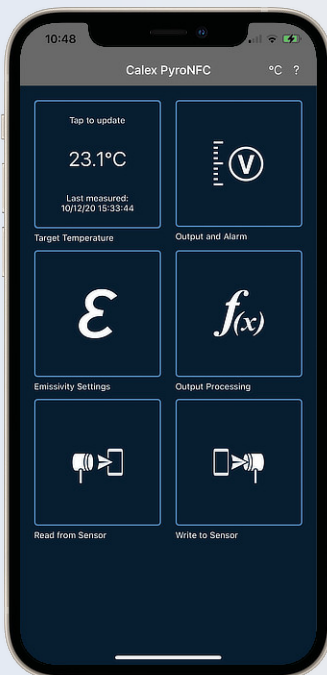
# PyroNFC

## Smartphone Configurable Infrared Temperature Sensor



- Non-contact industrial temperature sensor
- Fully configurable via iOS / Android app
- Choice of voltage or thermocouple outputs
- Simultaneous open collector alarm output
- Measures from 0°C to 1000°C, accurately and consistently
- Extremely small, with side-entry cable: ideal for mounting in tight spaces
- Fast response time: 125 ms
- Low cost, high performance
- Operates in ambient temperatures up to 80°C without cooling
- Form factor optimised for brake testing applications, plus many others

### APP FEATURES



- Read the measured temperature from PyroNFC sensors
- Instantly configure PyroNFC sensors without powering them
- Simply touch the sensor with the device to communicate
- Compatible with NFC-equipped Android and iOS devices
- Get the app free from Google Play Store or Apple App Store (search "PyroNFC")

### GENERAL SPECIFICATIONS

<b>Temperature Range</b>	0 to 1000°C (rescalable on model PN151)
<b>Output</b>	<b>Model PN151:</b> 0-5 V DC, 1-5 V DC or 0-10 V DC, linear with measured temperature, configurable and rescalable via app <b>Model PN151K:</b> Type K Thermocouple
<b>Alarm Output</b>	Open collector alarm output with temperature threshold and hysteresis, configurable via app
<b>Field of View</b>	15:1 (see OPTICS)
<b>Accuracy</b>	± 1.5% of reading or ± 1.5°C, whichever is greater
<b>Repeatability</b>	± 0.5% of reading or ± 0.5°C, whichever is greater
<b>Response Time</b>	125 ms (90% response)
<b>Configuration</b>	Via iOS/Android app using NFC-equipped smartphone/tablet
<b>Emissivity Setting</b>	Adjustable 0.2 to 1.0 via app
<b>Max Span (Voltage Output Range)</b>	1000°C
<b>Min Span (Voltage Output Range)</b>	100°C
<b>Spectral Range</b>	8-14 μm
<b>Max. Supply Voltage</b>	28 V DC
<b>Min. Supply Voltage (at Sensor)</b>	12 V DC (for 10 V output) 6 V DC (for 5 V or thermocouple output)
<b>Max Current Draw</b>	7 mA

### ENVIRONMENTAL & CONFORMITY SPECIFICATIONS

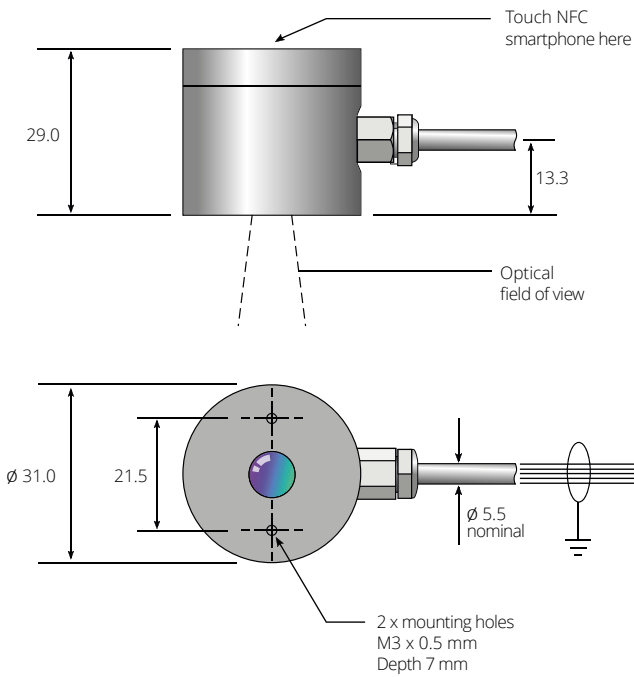
<b>Environmental Rating</b>	IP65
<b>Ambient Temperature Range</b>	0°C to 80°C
<b>Relative Humidity</b>	95% max. non-condensing
<b>Electromagnetic Compatibility</b>	EN61326-1, EN61326-2-3 (Electrical Equipment for Measurement, Control and Laboratory Use - EMC Requirements - Industrial)
<b>RoHS Compliant</b>	Yes

### APP SPECIFICATIONS

<b>Configurable Parameters</b>	Temperature range (linear output) Linear voltage output type and scale Alarm output threshold and hysteresis Emissivity setting Reflected temperature
<b>Temperature Units</b>	°C / °F
<b>Signal Processing</b>	Averaging Period (0.125 to 60 seconds) Peak / Valley Hold Hold Period (0.125 to 1200 seconds)
<b>Temperature Measurement</b>	Touch NFC device against sensor for in-app temperature updates (updates continuously on Android)

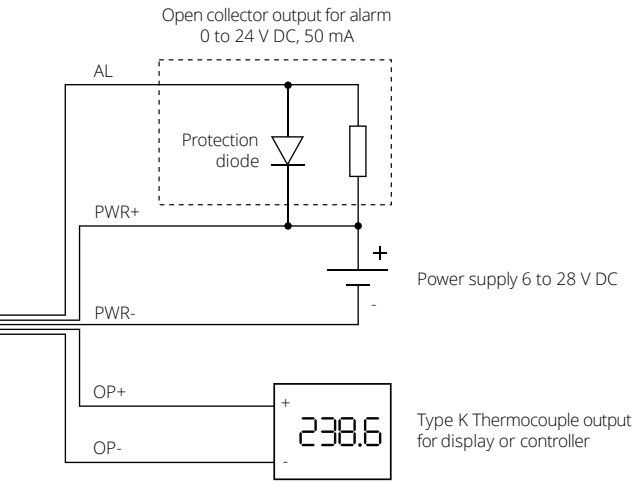
## DIMENSIONS AND CONNECTIONS

### MODELS WITH TYPE K THERMOCOUPLE OUTPUT

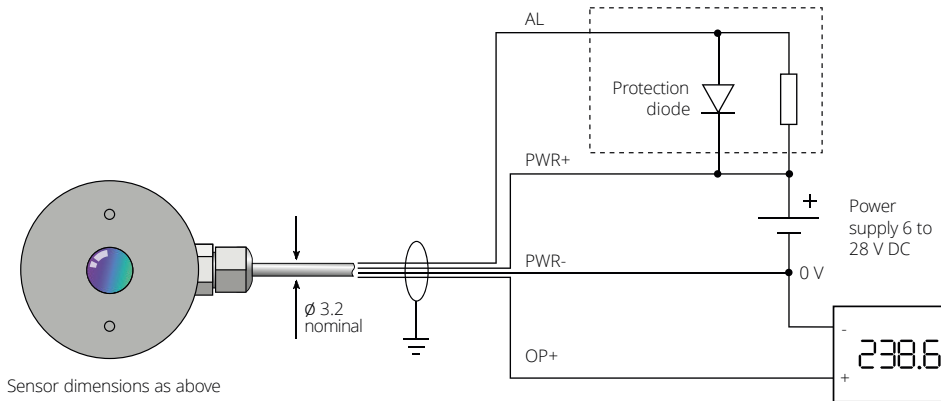


## MECHANICAL SPECIFICATIONS

<b>Construction</b>	Black anodised aluminium and ABS
<b>Cable Length</b>	1 metre standard (longer lengths available to order)
<b>Weight</b>	65 g including 1 m cable

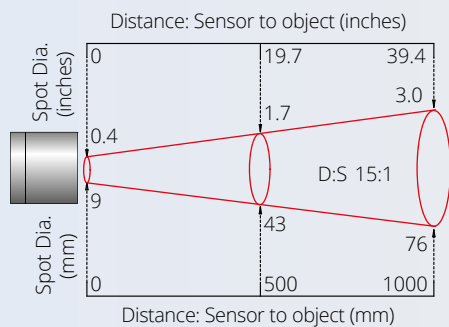


### MODELS WITH VOLTAGE OUTPUT



## OPTICS

Diameter of target spot measured versus distance from sensing head (90% energy)



## ACCESSORIES

Fixed mounting bracket **FBN**

Adjustable mounting bracket **ABN**

Air purge collar **APN**

3-point UKAS traceable calibration certificate **CALCERTA**

## MODEL NUMBERS

