

# PyroMini OEM

## Low-Cost Pyrometer for Machine Manufacturers



Model shown has 2-wire 4-20 mA output

- Miniature sensing head withstands up to 120°C ambient temperature without cooling
- Measurement ranges from -20°C to 500°C
- Choice of outputs: 4-20 mA, 0-10 V DC, Type J or K thermocouple
- Right-angled cable entry for low-profile installations
- Optional mounting brackets, air purge collar and laser sighting tool
- High accuracy and stability
- Stainless steel sensing head, sealed to IP65
- Precision optics
- Fixed emissivity 0.95 - suitable for measuring most non-reflective non-metals, and painted surfaces

### GENERAL SPECIFICATIONS

#### Temperature Range

-20°C to 100°C (LT models)  
0°C to 250°C (MT models)  
0°C to 500°C (HT models)

#### Output

Choice of outputs:  
4-20 mA, 2-wire, loop-powered, linear with temperature,  
0-10 V DC, linear with temperature,  
Type J Thermocouple,  
Type K Thermocouple

**Field of View** Choice of options (see Optics)  
**Accuracy** ± 1°C or 1%, whichever is greater  
**Repeatability** ± 0.5°C or 0.5%, whichever is greater  
**Emissivity Setting** Fixed at 0.95  
**Response Time** 240 ms (90% response)  
**Spectral Range** 8 to 14 µm

### ELECTRICAL

**Supply Voltage** 24 V DC (28 V DC max)  
**Minimum Sensor Voltage** 12 V DC (0-10 V DC model)  
8 V DC (all other models)  
**Maximum Current Draw** 20 mA (normal use)  
22 mA (fault condition)  
**Maximum Loop Impedance** 900 Ω (4-20 mA models)

### MECHANICAL

	Sensing head	Electronics Module
<b>Construction</b>	Stainless Steel 316	Extruded Aluminium
<b>Lens</b>	Silicon	-
<b>Major Dimensions</b>	Ø18 x 55 mm (see diagram)	25(w) x 25(h) x 105(l) mm (see diagram)
<b>Mounting</b>	M16 x 1 mm thread	4 Mounting Holes M3 Clearance

**Sensing Head Cable Length** 3 m  
**Output Cable Length** 1 m (extended cable available, 30 m max)

### ENVIRONMENTAL

	Sensing head	Electronics Module
<b>Environmental Rating</b>	IP65	IP50
<b>Ambient Temperature Range</b>	0°C to 120°C	0°C to 70°C
<b>Relative Humidity</b>	Maximum 95% non-condensing	Maximum 95% non-condensing

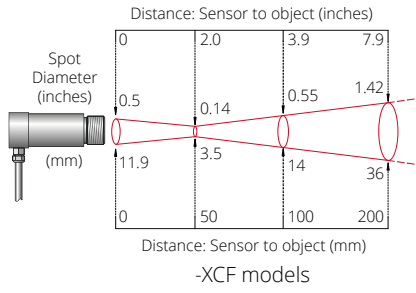
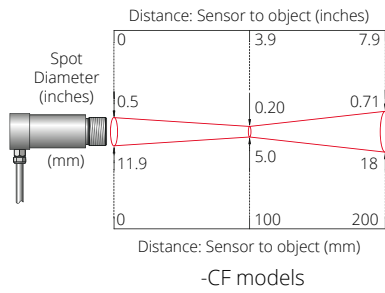
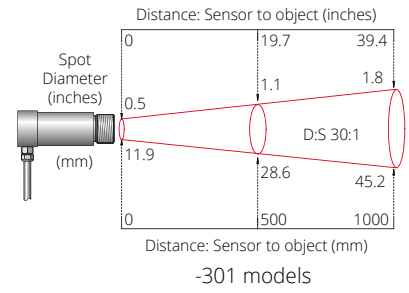
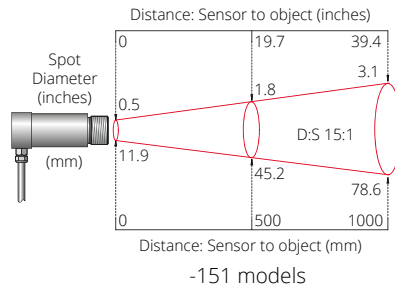
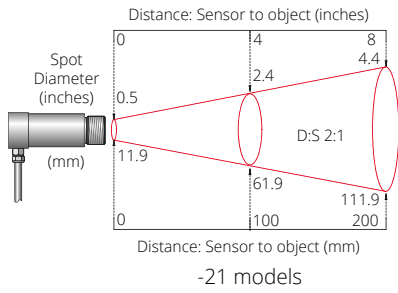
**CE Marked** Yes  
**RoHS Compliant** Yes

### ELECTROMAGNETIC COMPATIBILITY STANDARDS

Class	Standard	Description
<b>EMC Directive</b>	EN61326-1:2013	Electrical equipment for measurement, control and laboratory use – <b>Industrial</b>
<b>- Immunity</b>	IEC 61000-4-2	Electrostatic Discharge Immunity
	IEC 61000-4-3	Radiated RF Field Immunity
	IEC 61000-4-4	Burst Immunity
	IEC 61000-4-6	Conducted RF Immunity
<b>- Emissions</b>	EN 55022A	RF Emissions Class A
	EN 55022B	RF Emissions Class B

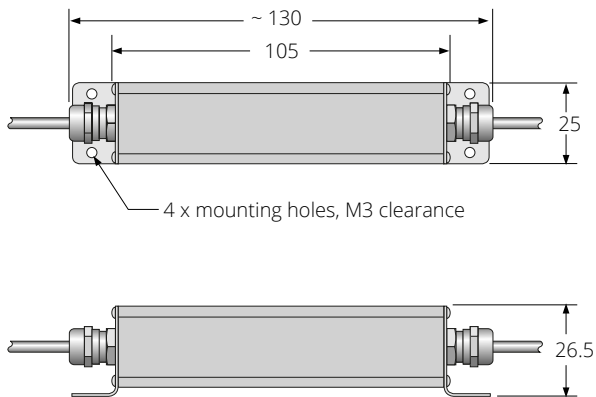
## OPTICS

Diameter of target spot measured vs. distance from sensing head (90% energy)  
 Note: Sensors can measure at longer distances than shown, with a larger measured spot size

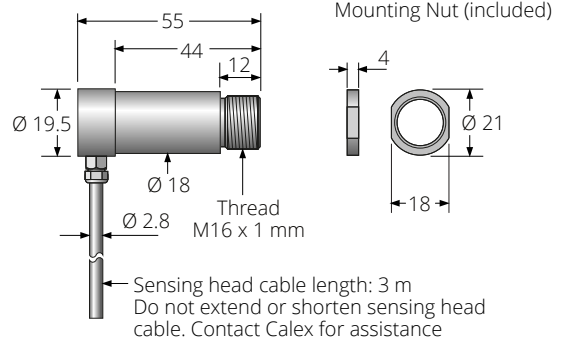


## DIMENSIONS

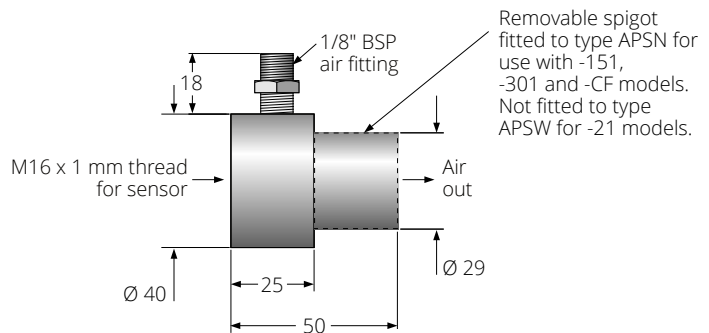
### Electronics Module



### Sensing Head



### Air Purge Collar (Optional)

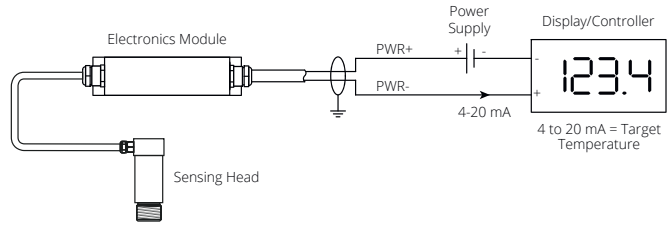


All dimensions in mm

## ELECTRICAL INSTALLATION

### 2-wire Models (4-20 mA Output)

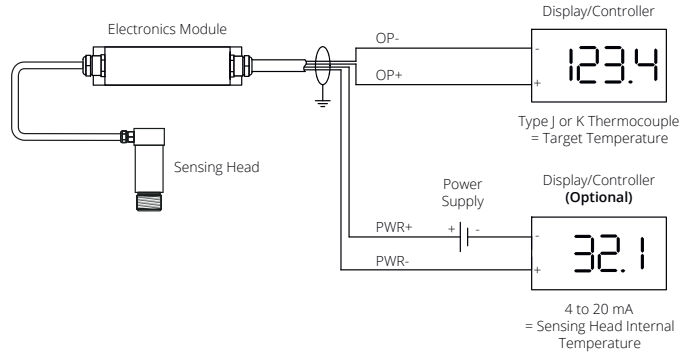
Wire Tag	Function
PWR+	Power +24 V DC (4-20 mA loop)
PWR-	Power 0 V DC (4-20 mA loop)
(no tag)	Shield drain



### 4-wire Models (Thermocouple Output)

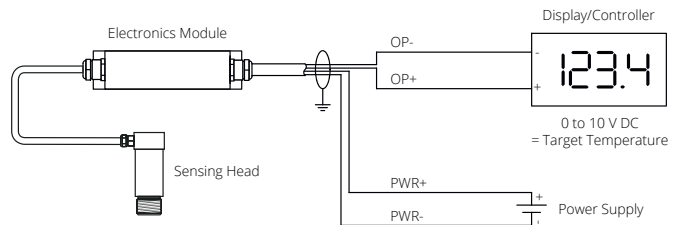
Wire Tag	Function
PWR+	Power +24 V DC *
PWR-	Power 0 V DC *
OP+	Output +
OP-	Output -
(no tag)	Shield drain

\* Sensing head internal temperature is provided as a 4-20 mA signal on the power loop. It is possible to use the sensor without measuring this signal; in that case power should be connected directly to PWR+ and PWR-.



### 4-wire Models (Voltage Output)

Wire Tag	Function
PWR+	Power +24 V DC
PWR-	Power 0 V DC
OP+	Target Temperature Output +
OP-	Target Temperature Output -
(no tag)	Shield drain



## MODEL NUMBERS

PMO - 151 - MT - C - 10M

### Output Cable Length

(blank) Standard output cable length (1 m)  
 nM Extended output cable (n = total length in m)  
 Maximum output cable length: 30 m

Note: Sensing head cable length is 3 metres.

### Output

C 2-wire, 4-20 mA  
 V 4-wire, 0-10 V DC  
 J 4-wire, Type J Thermocouple  
 K 4-wire, Type K Thermocouple

### Temperature Range

LT -20°C to 100°C  
 MT 0°C to 250°C  
 HT 0°C to 500°C

### Optics

21 2:1 wide-angle optics  
 151 15:1 general-purpose optics  
 301 30:1 narrow-angle optics  
 CF Close Focus optics (measured spot diameter 5 mm at distance 100 mm)  
 XCF Close Focus optics (measured spot diameter 3.5 mm at distance 50 mm)

**PMO** PyroMini OEM infrared temperature sensor with miniature sensing head and separate electronics module

## OPTIONS AND ACCESSORIES

<b>CALCERTA</b>	Calibration certificate
<b>LSTS</b>	Laser sighting tool
<b>ABS</b>	Adjustable mounting bracket
<b>FBS</b>	Fixed mounting bracket
<b>APSN</b>	Air purge collar (15:1, 30:1, Close Focus optics)
<b>APSW</b>	Air purge collar (2:1 optics)