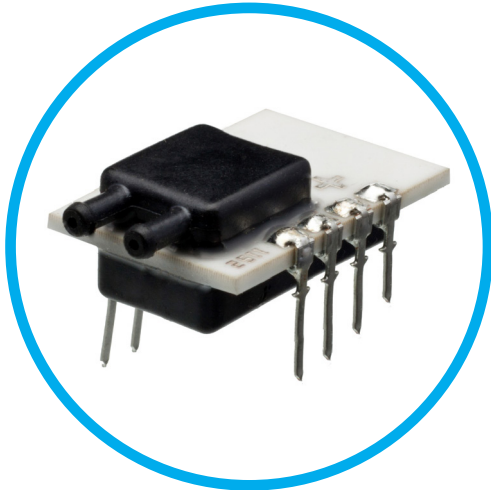


P1K

Pressure Sensor

Description

The P1K series of pressure sensors incorporates a piezo-resistive sensing element in a compact package. Using a 5 VDC supply voltage, the P1K provides a 0.25 VDC to 4.0 VDC output proportional to pressure. Internal temperature compensation provides accurate, easy to use sensor. The industry standard terminal pins provides ease of use for your printed circuit board designs.



Features

- Compact Package
- Amplified Temperature Compensated Linear Output
- No Position Sensitivity Above 0-2" H2O
- EMI/RFI and ESD Protected
- Superior Output Signal Stability
- Printed Circuit Board through Hole Mounting

Applications

- Variable Air Volume Systems
- Filter Pressure Monitoring
- Duct Air Flow
- Modulated Furnace Controls
- Combustion Airflow
- Gaseous Leak Detection
- **Medical Applications:**
Oxygen Concentrators, Ventilators, Anesthesia Equipment, CPAP, Wound Therapy.

MAIN FEATURES

Pressure Ranges	2, 5, 10, +/-1, +/-2, +/- 5 inches of water; 2.5, 5, 12.5, 25, +/-2.5, +/- 5, +/- 12.5 mbar
Electrical Connection	PCB thru hole terminal pins, 2.54 mm [.100 inch] pitch
Pressure Connection	Barbed port, 1.9[.08] diameter
Housing Material	PPS, 40% glass filled, black
Terminal Pin Material	Phosphor bronze, tin plated
Supply Voltage	5.00 Vdc ± 0.25 Vdc
Output Signal	Ratiometric analog; 5% to 80% of supply voltage



Pressure Ranges

from 0 to...	2" H2O	5" H2O	10" H2O	+/- 1" H2O	+/- 2" H2O	+/- 5" H2O
from 0 to...	5mbar	12.5mbar	20mbar	+/- 2.5 mbar	+/- 5mbar	+/- 12.5 mbar
Proof Pressure (min)	1.0 PSI/ (70mbar)	1.0 PSI/ (70mbar)	1.0 PSI/ (70mbar)	1.0 PSI/ (70mbar)	1.0 PSI/ (70mbar)	1.0 PSI/ (70mbar)
Burst Pressure Factor	1.8 PSI/ (125mbar)	1.8 PSI/ (125mbar)	1.8 PSI/ (125mbar)	1.8 PSI/ (125mbar)	1.8 PSI/ (125mbar)	1.8 PSI/ (125mbar)

Physical

Expected Operating Life	10 million full pressure life cycles
Shelf Life	10 years minimum
Stability	+/- 0.5% of full scale span for 1 year
Vibration	10 G's peak to peak sinusoidal (20 to 1600Hz)
Shock Resistance	50 G's ½ Sinewave, 11 mSec pulse, 18 pulses (6 per axis)
Weight	3.5g max.
Operating Temperature	-20°C to 85°C
Storage Temperature	-40°C to 125°C
Humidity	Up to 92% RH in a non-condensing environment
Media	Dry air

Performance

Accuracy	0.25% Max (% of full scale span) (RSS of linearity, hysteresis and repeatability)
Temp. Error (0 to 60°C)	0.05%/ C [% of full scale span]
Temp. Error (-20 to 0°C and 60 to 85°C 0 to 60°C)	5% full scale span

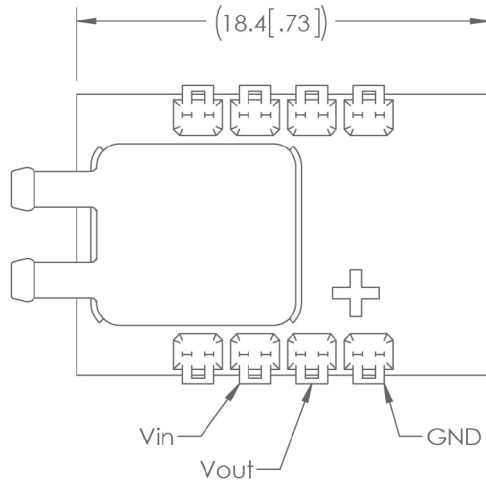
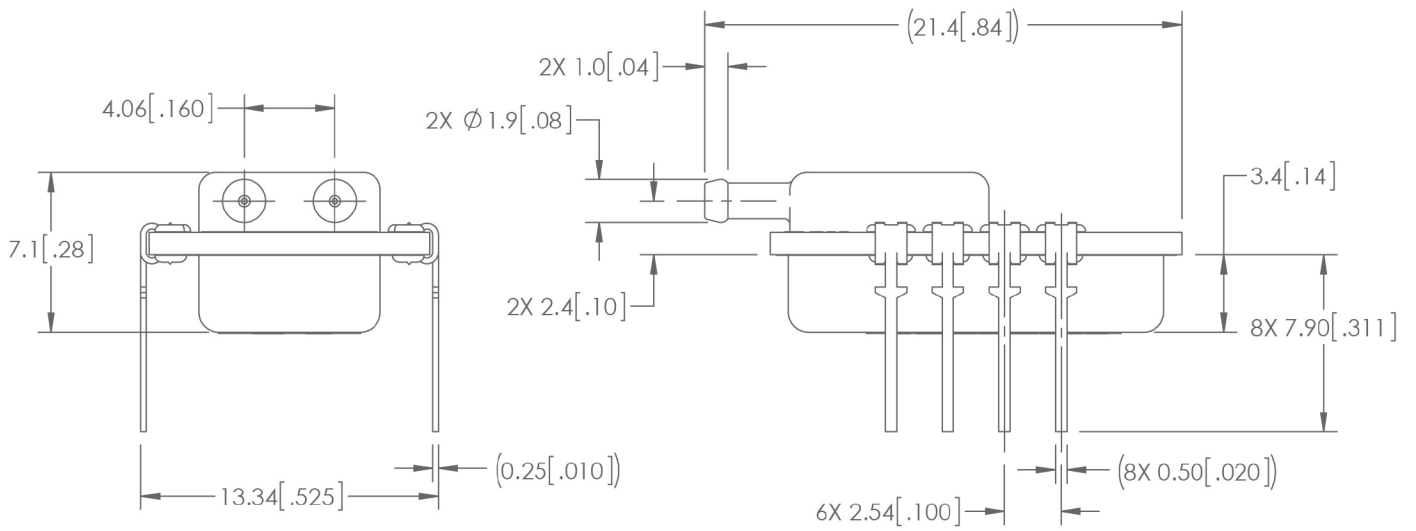
Electrical

Output Impedance	100 Ohms max.
Excitation Current	4mA max
Minimum Load	25k Ohms between output and ground
Response Time	5 mSec max (63% full scale)



DIMENSIONS

Dimensions in mm [Inch]





ORDERING OPTIONS

Example: P1K-1-2X16PA

P1K Pressure sensor 0 -1" H2O, .25 to 4.0 VDC output, no internal material seal, barbed tube fitting port with PCB Terminal Pin connection, no external material seal

Family	P1K	-	1	-	2	X	16	P	A
P1K									
Pressure Ranges									
1B:	+/- 1" H2O								
2:	0-2" H2O								
2B:	+/- 2" H2O								
5:	0-5" H2O								
5B:	+/- 5" H2O								
10:	0-10" H2O								
2.5MBB:	0-2.5 mbar								
5MB:	0-5 mbar								
5MBB:	+/- 5 mbar								
12.5MB:	0-12.5 mbar								
12.5MBB:	+/-12.5 mbar								
25MB:	0-25 mbar								
Output Type									
2:	0.25 – 4.0 VDC								
Seal Material									
X:	None								
Pressure Connection									
16:	Barb or Tube Fitting								
Built-in Connector									
P:	PCB Terminal Pins								
Seal Material									
A:	None								



AGENCY APPROVALS & CERTIFICATIONS

