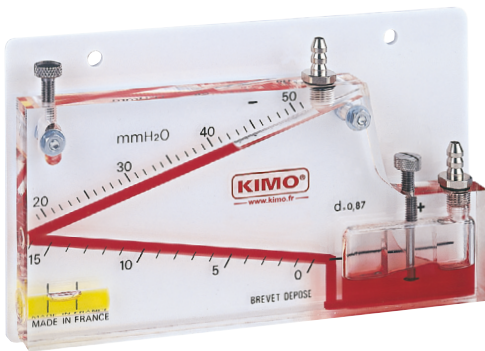


DATA SHEET



INCLINED LIQUID COLUMN MANOMETERS



VH series

Pressure / Depression

The VH range of inclined liquid column manometers, developed and manufactured by Sauer mann, measure slight variations in pressure, depression or differential pressure of air or gas. They are particularly recommended for checking clogging of filters in the ventilation and dust elimination industry.



Horizontal "V"-shaped liquid column



Dual measuring range



Different sensitivity on the two measuring ranges



Zero adjustment via float



Compact dimensions



Integrated spirit level for adjusting horizontality

Measuring range

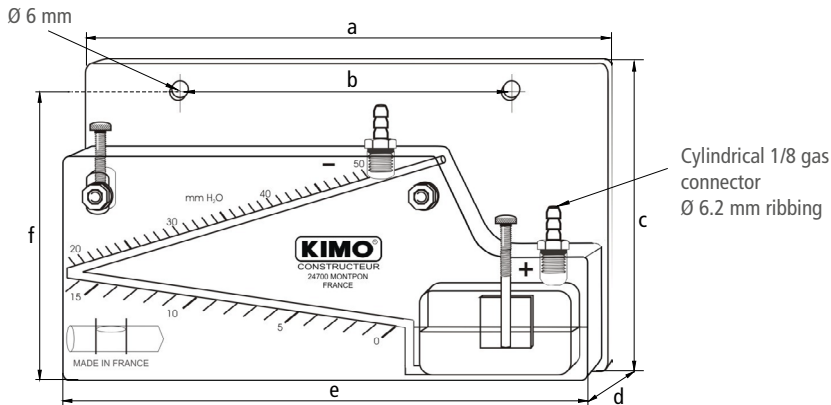
Reference	Measuring range			Sensitivity scale		Resolution
		mm H ₂ O		For 1 mm H ₂ O		mm H ₂ O
VH 50	Total	1 st column	2 nd column	1 st column	2 nd column	1 st and 2 nd column
	0 - 50	0 - 16	19 - 50	7 mm	3.5 mm	1 mm H ₂ O or 10 Pa
		Pascal		For 10 Pa		Pascal
	Total	1 st column	2 nd column	1 st column	2 nd column	1 st and 2 nd column
	0 - 500	0 - 160	190 - 500	7 mm	3.5 mm	1 mm H ₂ O or 10 Pa

Supplied with a white PVC support, 2 screws and 2 rawlplugs, two 487 connectors and a bottle of AWS 10 liquid

General features

Recommended range of use	From +5 to +30 °C
Possible range of use	From -30 to +60 °C
Maximum static pressure	1 bar
Manometer body	Transparent 15 mm thick Altuglas
Liquid column	Entirely bored in the solid block, Ø 4 mm
Graduation	Directly silk-screened onto the rear face
Zero adjustment	By moving the Altuglas float and the milled, nickel-plated brass screw, travel 10 mm
Positioning	Horizontal positioning via integrated spirit level and milled, nickel-plated brass adjusting screw, vertical travel 12 mm
Manometric liquid	AWS 10 red oil, density 0.87 at 15 °C
Reservoir capacity	20 ml
Connection	Ø 5 x 8 mm semi-rigid crystal tube, on Ø 6.2 mm ribbed, nickel-plated brass connectors, 1/8 gas thread
Wall-mounted	With or without white PVC support

Dimensions



Reference	VH 50
a	188 mm
b	120 mm
c	112 mm
d	25 mm
e	182 mm
f	101 mm
Weight	380 g

Mounting

1. Mount the manometer on a wall or a vertical partition wall with two maximum Ø 5 x 25 mm screws.
2. Set horizontality using the integrated level and the milled adjusting screw.
3. Unscrew the connector on the reservoir and slowly pour the manometric liquid to zero point on the graduation.
4. Remount the connector without overtightening.
5. Connect the manometer with the Ø 5 x 8 mm crystal tube to the pressure or depression source to be checked.

Note:

For a pressure measurement: connect the crystal tube to the **right-hand connector (+)**

For a depression measurement: connect the crystal tube to the **left-hand connector (-)**

For a differential pressure: connect the highest pressure to the **right-hand connector (+)** and the lowest pressure to the **left hand connector (-)**

Maintenance: VH manometers require no special maintenance other than simply changing the reading liquid once a year.