
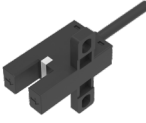
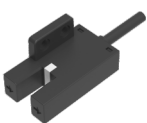

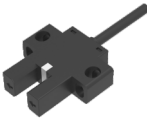
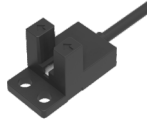


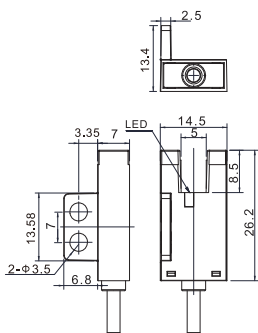
Appearance						
Shape	F Shape	T Shape	R Shape	L Shape	K Shape	Y Shape
Sensing distance	5mm (Slot width)					
Standard sensing object	Opaque objects (Size: 1.2*1.8mm)					
Repeat accuracy	< 0.03mm					
Output type	NPN or PNP open-collector					
Switch type	Selectable L.on/D.on					
Indicator	Red LED					
Response frequency	3KHz					
Response time	≤0.3ms					
Light source	Infrared LED (940nm)					
Operating voltage	5~24V DC					
Voltage drop	< 1.5V (load current 100mA, 2m cable length)					
Current consumption	< 20mA					
Protective circuit	Surge protection, Reverse polarity protection					
Ambient temperature	Operation: -25°C~+55°C, Storage: -30°C~+80°C, no freezing					
Ambient humidity	Operation: 5%~85%, Storage: 5%~95%, no condensation					
Ambient brightness	Incandescent lamp ≤1000Lux					
Degree of protection	IP50					
Material	PC					
Connection method	2M 4core cable					
NPN	SF-302NA-W-S	ST-303NA-W-S	SR-304NA-W-S	SL-305NA-W-S	SK-306NA-W-S	SY-307NA-W-S
PNP	SF-302PA-W-S	ST-303PA-W-S	SR-304PA-W-S	SL-305PA-W-S	SK-306PA-W-S	SY-307PA-W-S

- Fiber Optic
- Slot Sensors**
- Photoelectric
- Laser
- Proximity
- Displacement
- Magnetic
- Contact
- Area
- Ultrasonic
- Vision
- Vibration
- Temperature
- Annexes

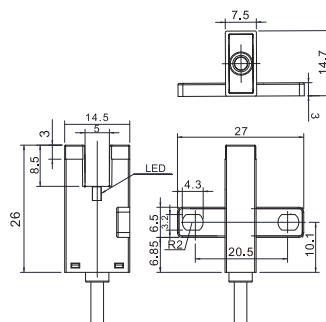
## Dimensions

Unit: mm

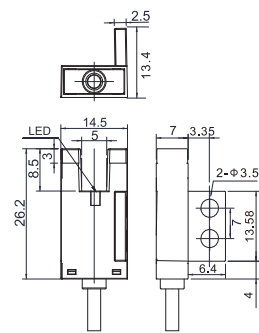
### F Shape



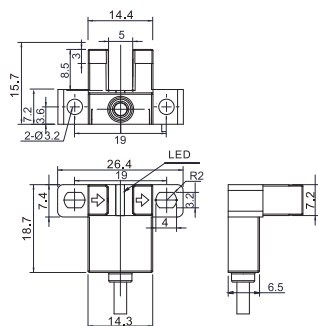
### T Shape



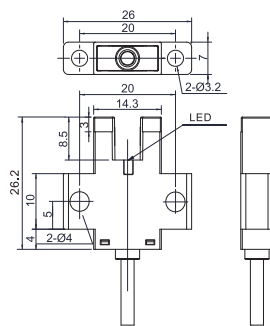
### R Shape



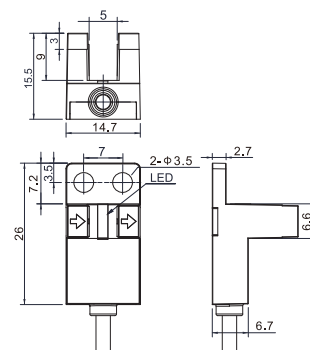
### L Shape



### K Shape



### Y Shape



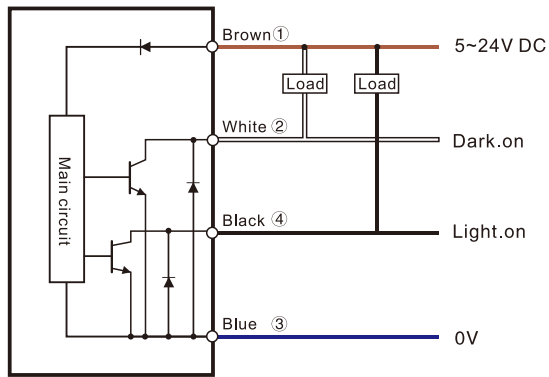
## Guidance

- Slot type sensors
- Micro slot type
- Slot type**
- Wide slot type
- Label detection

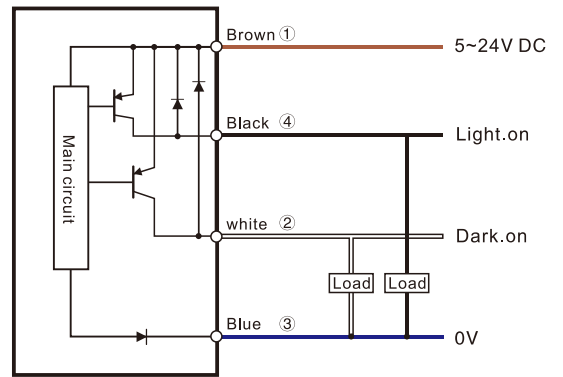
# Slot Type

## Circuit diagram

NPN



PNP



Fiber Optic

Slot Sensors

Photoelectric

Laser

Proximity

Displacement

Magnetic

Contact

Area

Ultrasonic

Vision

Vibration

Temperature

Annexes

Guidance

Slot type sensors

Mirco slot type

Slot type

Wide slot type

Label detection