
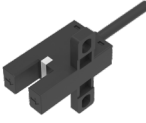
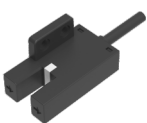

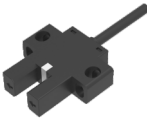
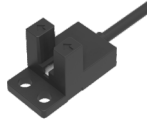


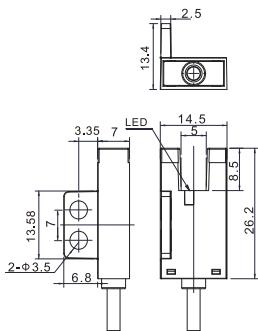
| | | | | | | | |
|-------------------------|---|---|---|--|---|---|-------------------------|
| Appearance |  |  |  |  |  |  | |
| Shape | F Shape | T Shape | R Shape | L Shape | K Shape | Y Shape | |
| Sensing distance | 5mm (Slot width) | | | | | | |
| Standard sensing object | Opaque objects (Size: 1.2*1.8mm) | | | | | | |
| Repeat accuracy | < 0.03mm | | | | | | |
| Output type | NPN or PNP open-collector | | | | | | |
| Switch type | Selectable L.on/D.on | | | | | | |
| Indicator | Red LED | | | | | | |
| Response frequency | 3KHz | | | | | | |
| Response time | ≤0.3ms | | | | | | |
| Light source | Infrared LED (940nm) | | | | | | |
| Operating voltage | 5~24V DC | | | | | | |
| Voltage drop | < 1.5V (load current 100mA, 2m cable length) | | | | | | |
| Current consumption | < 20mA | | | | | | |
| Protective circuit | Surge protection, Reverse polarity protection | | | | | | |
| Ambient temperature | Operation: -25°C~+55°C, Storage: -30°C~+80°C, no freezing | | | | | | |
| Ambient humidity | Operation: 5%~85%, Storage: 5%~95%, no condensation | | | | | | |
| Ambient brightness | Incandescent lamp ≤1000Lux | | | | | | |
| Degree of protection | IP50 | | | | | | |
| Material | PC | | | | | | |
| Connection method | 2M 4core cable | | | | | | |
| NPN | Light on when objects are detected | SF-302N-W | ST-303N-W (HOT) | SR-304N-W | SL-305N-W (HOT) | SK-306N-W | SY-307N-W (HOT) |
| | Light off when objects are detected | SF-302NA-W | ST-303NA-W (HOT) | SR-304NA-W | SL-305NA-W (HOT) | SK-306NA-W | SY-307NA-W (HOT) |
| PNP | Light on when objects are detected | SF-302P-W | ST-303P-W | SR-304P-W | SL-305P-W | SK-306P-W | SY-307P-W |
| | Light off when objects are detected | SF-302PA-W | ST-303PA-W | SR-304PA-W | SL-305PA-W | SK-306PA-W | SY-307PA-W |

- Fiber Optic
- Slot Sensors
- Photoelectric
- Laser
- Proximity
- Displacement
- Magnetic
- Contact
- Area
- Ultrasonic
- Vision
- Vibration
- Temperature
- Annexes

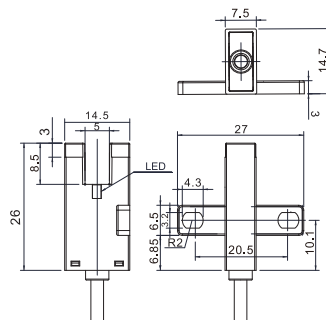
Dimensions

Unit: mm

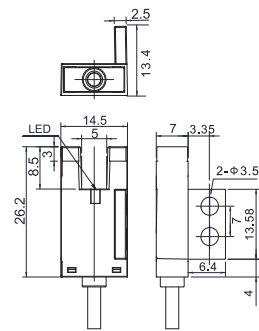
F Shape



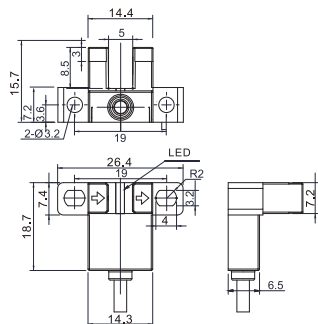
T Shape



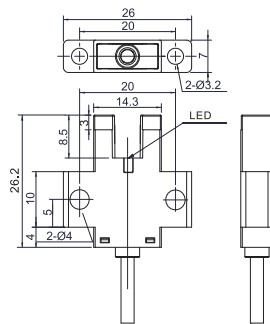
R Shape



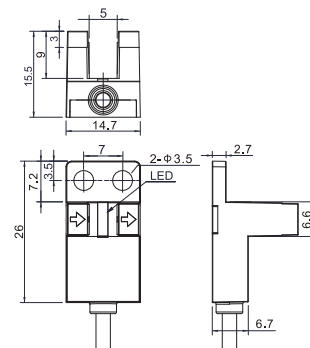
L Shape



K Shape



Y Shape



Guidance

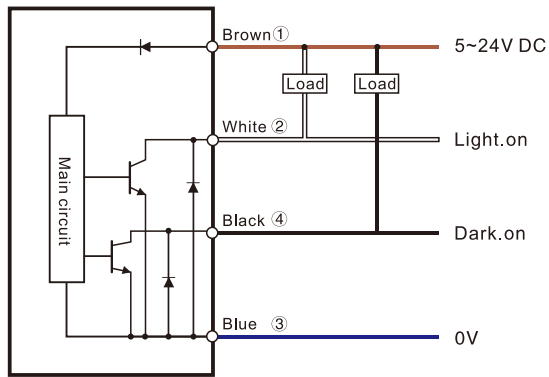
Slot type sensors

- Micro slot type
- Slot type
- Wide slot type
- Label detection

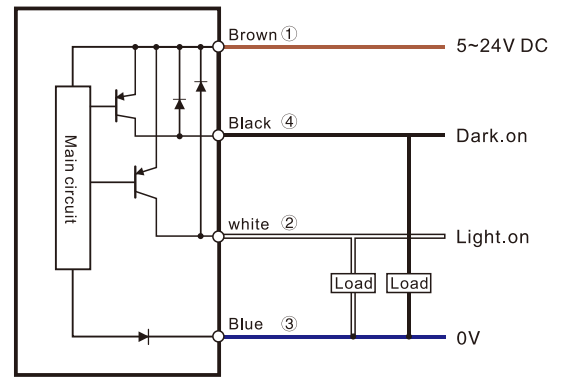
Slot Type

Circuit diagram

NPN



PNP



Fiber Optic

Slot Sensors

Photoelectric

Laser

Proximity

Displacement

Magnetic

Contact

Area

Ultrasonic

Vision

Vibration

Temperature

Annexes

Guidance

Slot type sensors

Mirco slot type

Slot type

Wide slot type

Label detection