

CIM24-Clip 24 x 48 Clip no reset Part number 99777710



- 5 or 6 digits, height of digits 4 mm
- With or without manual reset
- White digits on a black background

Part numbers

| Type | Number of digits | Operating frequency (Hz) | Voltages |
|--------------------------------|------------------|--------------------------|----------|
| 99777710 24 x 48 Clip no reset | 6 | 50 / 60 | 24 VAC |

Specifications

General characteristics

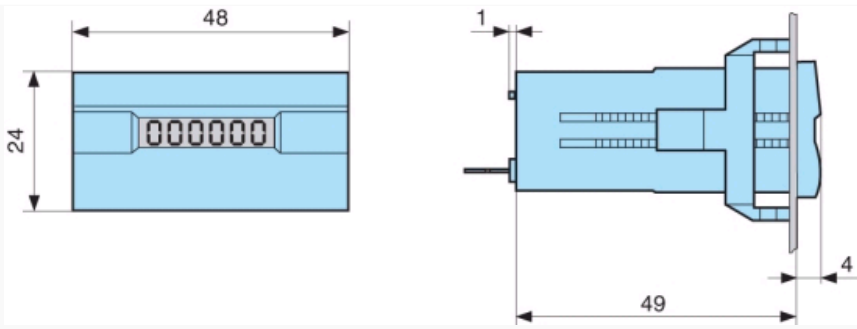
| | |
|--|--|
| Counting capacity | 999,999 impulses without manual reset 99,999 impulses with manual reset |
| Height digits (mm) | 4 |
| Max. count rate | VAC→10 impulses/s VDC→10 impulses/s |
| Min. count rate | VAC→50 ms VDC→50 ms |
| Min pause time between 2 pulses | VAC→50 ms VDC→50 ms |
| Max. pulse length (count coil) | Unlimited |
| Voltage variation | 12/24 VDC : ± 10 % VAC : ± 10 % |
| Consumption | 24 VAC : 0,75 VA 230 VAC : 1,5 VA 12/24 VDC : 0,5 W |
| Mechanical life count function (operations) | > 50 x 10 ⁶ |
| Test voltage according to standard IEC 255-5 | U < 60 V : 500 V U > 60 V : 2 000 V |
| Protection Housing | IP40 |
| Degree of terminal protection | IP00 |
| Environmental protection | Plated or stainless steel components |
| Maintenance | None |
| Operating position | Any |
| Temperature limits use (°C) | - 10 →+50 |
| Temperature limits stored (°C) | - 40 →+80 |
| Certifications | CE |
| Connection | 6.35 Faston connectors or screw terminals |
| Mounting | With clip |
| Weight (g) | 65 |

Accessories

| Description | Code |
|--|----------|
| Adaptor for 50 x 25 mm cut-out - Fixed with screws | 26546843 |
| Adaptor for 50 x 25 mm cut-out - Fixed with clips | 26546844 |
| Adaptor for 48 x 48 mm cut-out | 26546849 |

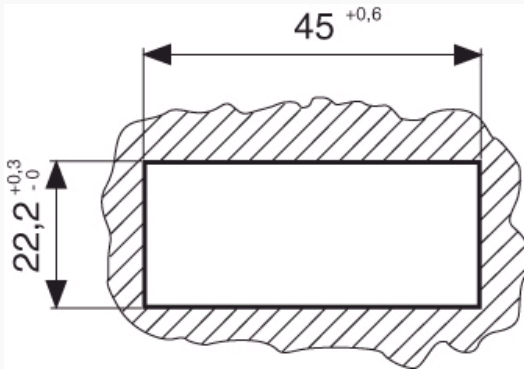
Dimensions (mm)

9977771/81 - 6 digits



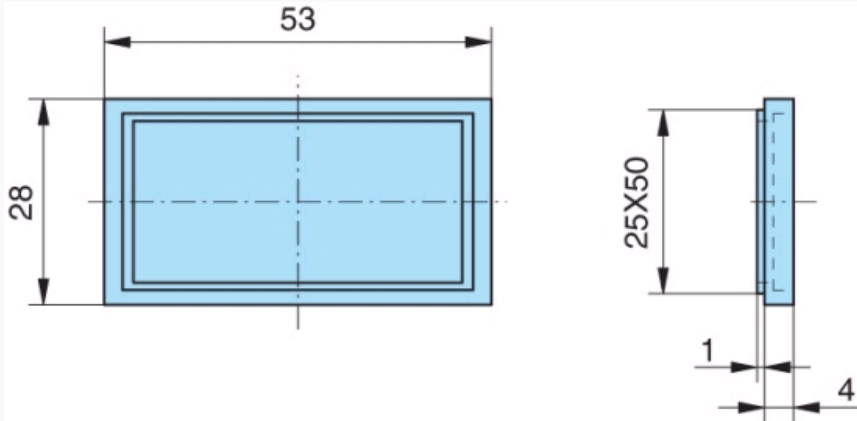
Dimensions (mm)

Panel cut-out



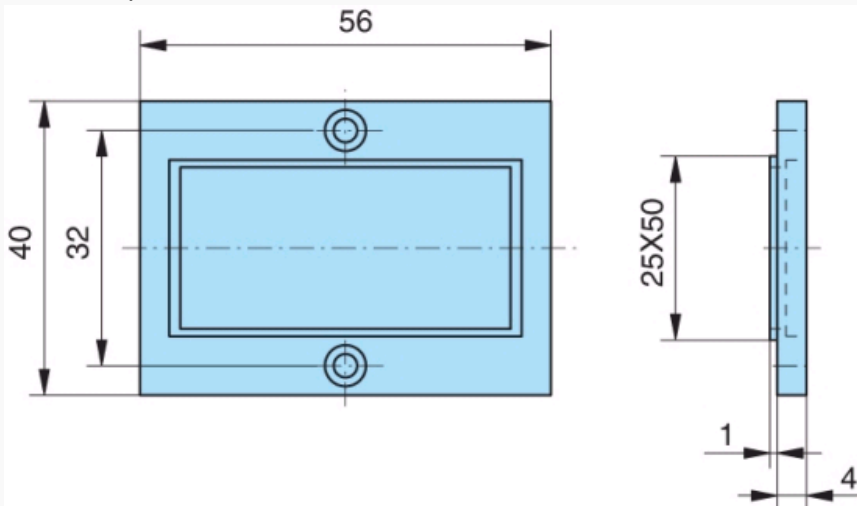
Dimensions (mm)

26546844 - Adaptor for 50 x 25 mm cut-out



Dimensions (mm)

26546843 - Adaptor for 50 x 25 mm cut-out



Dimensions (mm)

26546849 - Adaptor for 45 x 45 mm cut-out

