

## CIM36x48-Screw 36 x 48 Screw no reset Part number 99776736



- 5 or 6 digits, height of digits 4 mm
- With or without manual reset
- White digits on a black background

### Part numbers

| Type                            | Number of digits | Operating frequency (Hz) | Voltages |
|---------------------------------|------------------|--------------------------|----------|
| 99776736 36 x 48 Screw no reset | 6                | VDC                      | 48 VDC   |

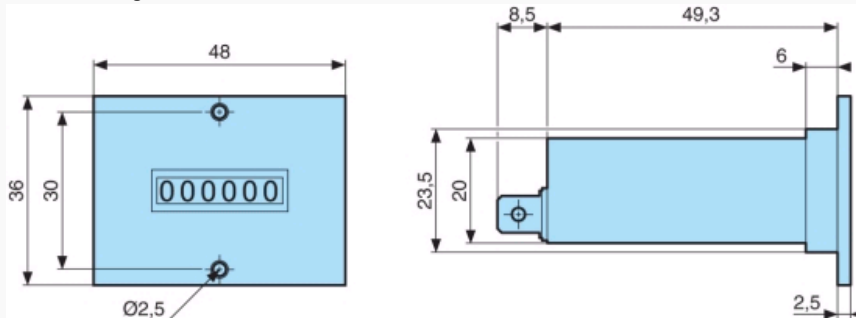
### Specifications

#### General characteristics

|  |  |
|--|--|
| Counting capacity                            | 999,999 impulses without manual reset<br>99,999 impulses with manual reset                         |
| Height digits (mm)                           | 4  |
| Max. count rate                              | VAC→18 impulses/s<br>VDC→25 impulses/s   |
| Min. count rate                              | VAC→28 ms<br>VDC→20 ms   |
| Min pause time between 2 pulses              | VAC→28 ms<br>VDC→20 ms   |
| Max. pulse length (count coil)               | Unlimited  |
| Voltage variation                            | + 10 % / -15 % Un  |
| Consumption                                  | 24 VAC / 115 VAC : 1,1 VA<br>230 VAC : 2,1 VA<br>110 VDC : 1 W<br>48 VDC : 0,8 W<br>24 VDC : 0,8 W |
| Mechanical life count function (operations)  | > 50 x 10 <sup>6</sup>   |
| Test voltage according to standard IEC 255-5 | U < 60 V : 500 V<br>U > 60 V : 2 000 V   |
| Protection Housing                           | IP40   |
| Degree of terminal protection                | IP00   |
| Environmental protection                     | Plated or stainless steel components   |
| Maintenance                                  | None   |
| Operating position                           | Any  |
| Temperature limits use (°C)                  | -10 →+60   |
| Temperature limits stored (°C)               | -40 →+80   |
| Certifications                               | CE   |
| Connection                                   | 6.35 Faston connectors or screw terminals  |
| Mounting                                     | 2 x 2.5 Ø screws - F90° on front face  |
| Weight (g)                                   | 50   |

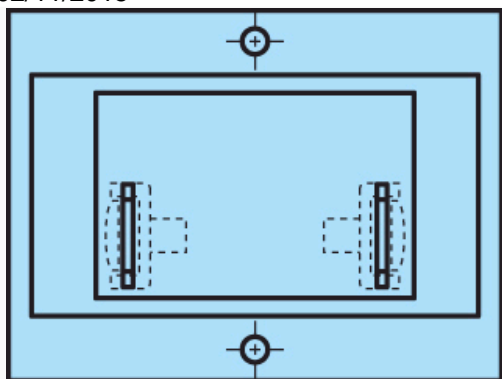
### Dimensions (mm)

#### 9977670/3 - 6 digits



### Dimensions (mm)

#### 9977670/3 - Rear faces

**Dimensions (mm)****Panel cut-out**