

Sealed

→ 83 123

- Low-profile casing
- IP66/IP67/IP69 protection
- Compact dimensions
- Pre-cabled output



Main specifications

Function	Connections	Standard 83 123 0	Spherical cover 83 123 0
		83 123 018	83 123 074
I (changeover)	H05 VVF cable		
Electrical characteristics			
Rating nominal / 250 V AC (A)		5	5
Rating thermal / 250 V AC (A)		12	12
Mechanical characteristics			
Maximum operating force (N)		7.5	7.5
Min. Release force (N)		1.5	1.5
Maximum total travel force (N)		8	8
Max. permitted overtravel force (N)		30	30
Tripping point (mm)		11,4 ^{±0.4}	16,5 ^{±0.5}
Maximum differential travel (mm)		0.2	0.25
Min. overtravel (mm)		0.25	0.2
Ambient operating temperature (°C)		0 → +85	0 → +85
Mechanical life (operations)		2 x 10 ⁶	2 x 10 ⁶
Contact gap (mm)		0.5	0.5
Weight (g)		45	50
Connections			
Connection		Cable 3 x 0.75 mm ² in sheath Ø ext. 7.6 mm max. Standard length 0.50 m	Cable 3 x 0.75 mm ² in sheath Ø ext. 7.6 mm max. Standard length 0.50 m
Comments			
Common (1) : black Normally closed (2) : brown Normally open (4) : grey			

Additional specifications

Components

Material

- Casing : nitrile (option: silicone)
- Contacts : silver
- Mounting plate : stainless steel

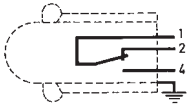
Product adaptations



- Special casing, leads, cables for specific environment
- -40 °C versions with silicone casing
- SPST NO or NC versions

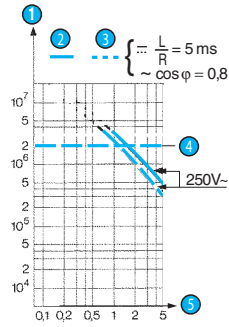
Principles

Single break changeover snap-action switch



Curves

Operating curve

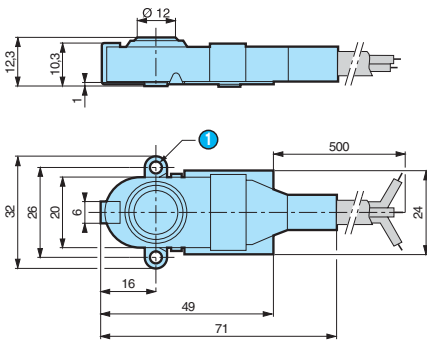


- 1 Number of cycles
- 2 Resistive circuit
- 3 Inductive circuit
- 4 Mechanical life limit
- 5 Current in Amps

Dimensions

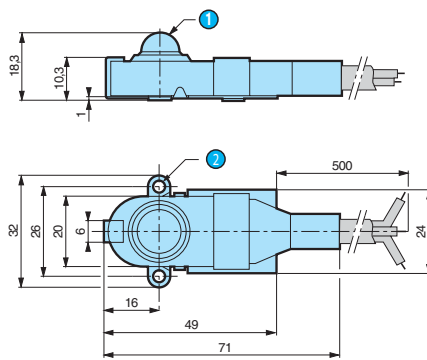
→ Product

83 123 Standard



- 1 2 holes Ø 3.2

83 123 Spherical cover



- 1 R6 spherical
- 2 2 holes Ø 3.2

Other information

Mounting - Operation

In order to comply with basic safety requirements, an insulator must be used if the device is being operated manually. One of the fixing holes must be used as a protective earth.

Warning:

The product information contained in this catalogue is given purely as information and does not constitute a representation, warranty or any form of contractual commitment. Crouzet Automatismes SAS and its subsidiaries reserve the right to modify their products without notice. It is imperative that we should be consulted over any particular use or application of our products and it is the responsibility of the buyer to establish, particularly through all the appropriate tests, that the product is suitable for the use or application. Under no circumstances will our warranty apply, nor shall we be held responsible for any application (such as any modification, addition, deletion, use in conjunction with other electrical or electronic components, circuits or assemblies, or any other unsuitable material or substance) which has not been expressly agreed by us prior to the sale of our products.