

Phase control

→ 3-phase voltage control relay - 17.5 mm / 35 mm



- H3US and M3US relays control, on 3-phase networks:
 - overvoltage between phases,
 - undervoltage between phases
- The H3USN relay controls, on 3-phase networks:
 - overvoltage between phases and neutral,
 - undervoltage between phases and neutral,
 - loss of neutral
- Multi-voltage Products
- Controls its own supply voltage
- True RMS measurement
- LED status indication



M3US



H3US



H3USN

Part numbers

	M3US	H3US	H3USN
Function	Under/overvoltage between phases	Under/overvoltage between phases	Over and undervoltage between phases and neutral / loss of neutral
Nominal voltage (V)	3 x 208 → 3 x 480 V ~	3 x 220 → 3 x 480 V ~	3 x 120 → 3 x 277 V ~
Output	1 single pole changeover relay	2 single changeover relays / one per threshold	2 single changeover relays / one per threshold
Part numbers	84873222	84873220	84873221

Product adaptations



- Customisable colours and labels
- Single voltage in the generic range
- Fixed or adjustable time delay
- Adjustable fixed hysteresis
- Adaptations dedicated to M3US:
 - Fixed threshold in the generic range
- Adaptations dedicated to H3US:
 - Fixed threshold in the generic range
- Adaptations dedicated to H3USN:
 - Fixed overvoltage threshold in the generic range
 - Fixed undervoltage threshold in the generic range

Accessories

Description	Code
Removable sealable cover for 17.5 mm casing	84800000
Removable sealable cover for 35 mm casing	84800001

General characteristics

	M3US	H3US	H3USN
Supply			
Supply voltage Un	3 x 208 → 3 x 480 V ~ *	3 x 220 → 3 x 480 V ~ *	3 x 120 → 3 x 277 V ~ *
Voltage supply tolerance	-12% / +10%	-12% / +10%	-20% / +20%
Operating range	183 → 528 V ~	194 → 528 V ~	96 → 332 V ~
Power consumption at Un	1.8 VA in ~	2.9 VA in ~	3.9 VA in ~
Inputs and measuring circuit			
Selection of phase-phase nominal voltage Un	208-220-380-400-415-440-480 V ~	220-380-400-415-440-480 V ~	-
Selection of phase-neutral voltage	-	-	120-127-220-230-240-260-277
Output			
Electrical life (number of operations)	1 x 10 ⁵	1 x 10 ⁴	1 x 10 ⁴
General characteristics			
Casing	17.5 mm	35 mm	35 mm
Weight	80 g	130 g	130 g
Comments	* 3-phase mains with earth	* 3-phase mains with earth	* 3-phase mains with earth

General characteristics

Supply

~ supply voltage frequency	50 / 60 Hz ±10%
Galvanic isolation of power supply/measurement	No

Inputs and measuring circuit

Frequency of measured signal	50 → 60 Hz ± 10%
Max. measuring cycle time	150 ms/True RMS measurement
Voltage threshold adjustment	<ul style="list-style-type: none"> ■ Undervoltage -2 to -20% of selected Un for M3US: (-2 to -12% across the 3 x 208 V range) (-2 to -17% across the 3 x 220 V range) for H3US: (-2 to -12% across the 3 x 220 V range) ■ Overvoltage 2→20% of selected Un For M3US and H3US: (+2 → +10% across the 3 x 480 V ~ range)
Fixed hysteresis	2% of Un (M3US, H3US)
Display precision	± 3% of the displayed value
Repetition accuracy with constant parameters	± 0.5%
Measuring error with voltage drift	< 1% across the whole range
Measuring error with temperature drift	0.05% / °C

Timing

Delay on threshold crossing	0.3 → 30 s (0, +10%)
Repetition accuracy with constant parameters	± 3%
Reset time	1500 ms
Delay on pick-up	500 ms
Alarm on delay time max.	200 ms

Output

Type of contacts	No cadmium
Maximum breaking voltage	250 V ~
Max. breaking current	5 A ~
Min. breaking current	10 mA / 5 V ---
Breaking capacity (resistive)	1250 VA ~
Maximum rate	360 operations/hour at full load
Operating categories acc. to IEC 60947-5-1	AC 12, AC 13, AC 14, AC 15, DC 12, DC 13, DC 14
Mechanical life (operations)	30 x 10 ⁶

Insulation

Nominal insulation voltage IEC 60664-1	400 V
Insulation coordination (IEC 60664-1 / 60255-5)	Overvoltage category III: degree of pollution 3
Rated impulse withstand voltage IEC 60664-1/60255-5	4 kV (1.2 / 50 µs)
Dielectric strength IEC 60664-1/60255-5	2 kV AC 50 Hz 1 min
Insulation resistance IEC 60664-1 / 60255-5	> 500 MΩ / 500 V---

General characteristics

Display power supply	Green LED
Display relay	Yellow LED (1 for M3US, 2 for H3US and H3USN)
Mounting	On 35 mm symmetrical DIN rail, IEC/EN 60715
Mounting position	All positions
Material: enclosure plastic type VO to UL94 standard	Incandescent wire test according to IEC 60695-2-11 & NF EN 60695-2-11
Protection (IEC 60529)	Terminal block: IP 20 Casing: IP30
Connecting capacity IEC 60947-1	Rigid: 1 x 4 ² - 2 x 2.5 ² mm ² 1 x 11 AWG - 2 x 14 AWG Flexible with ferrules: 1 x 2.5 ² - 2 x 1.5 ² mm ² 1 x 14 AWG - 2 x 16 AWG
Max. tightening torques IEC 60947-1	0.6 → 1 Nm / 5.3 → 8.8 Lbf.Ft
Operating temperature IEC 60068-2	-20 → +50°C
Storage temperature IEC 60068-2	-40 → +70°C
Humidity IEC 60068-2-30	2 x 24 hr cycle 95% RH max. without condensation 55°C
Vibrations according to IEC/EN60068-2-6	10 → 150 Hz, A = 0.035 mm
Shocks IEC 60068-2-6	5 g

Standards

Marking	CE (LVD) 73/23/EEC - EMC 89/336/EEC
Product standard	NF EN 60255-6 / CEI 60255-6 / UL 508 / CSA C22.2 N°14
Electromagnetic compatibility	Immunity EN 61000-6-2/IEC 61000-6-2 Emission EN 61000-6-4/EN 61000-6-3 IEC 61000-6-4/IEC 61000-6-3 Emission EN 55022 class B
Certifications	UL, CSA, GL pending
Conformity with environmental directives	RoHS, WEEE

Phase control

Principles

Overview

3-phase voltage controllers which monitor:

- Undervoltage, adjustable from -20 to -2% of U_n
- Overvoltage, adjustable from 2 to 20% of U_n
- Presence of the neutral (H3USN only)

Measurements are taken between Phases for the H3US - M3US and between Phases and Neutral for the H3USN

Faults are signalled via LEDs, distinguishing the origin of the fault (one LED for the upper threshold, one LED for the lower threshold).

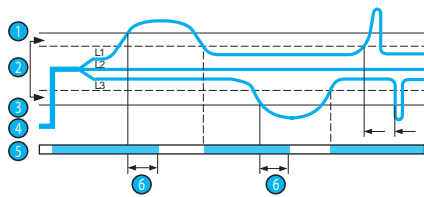
Voltage selector switch: Set the selector switch to the 3-phase network voltage U_n .

The position of this selector switch is only taken into account when the unit is powered up.

If the switch position changes while the unit is operating, all the LEDs flash but the product continues to work normally with the voltage selected on energisation prior to the change of position.

The LEDs return to their normal state if the switch is reset to its initial position defined before the last energisation.

M3US - Under/Overvoltage



- 1 Overvoltage
- 2 Hysteresis
- 3 Undervoltage
- 4 Phases L1, L2, L3
- 5 Relay
- 6 Over and undervoltage threshold delay

Operating principle

M3US

The relay monitors its own supply voltage. It controls:

- Undervoltage, adjustable from -20 to -2% of U_n (-12 to -2% over the 3 x 208 V \sim range and -17% to -2% for the 3 x 220 V \sim range due to the minimum voltage 183 V \sim)
- Overvoltage, adjustable from +2 to +20% (+2 to +10% over the 3 x 480 V \sim range due to the maximum voltage 528 V \sim).

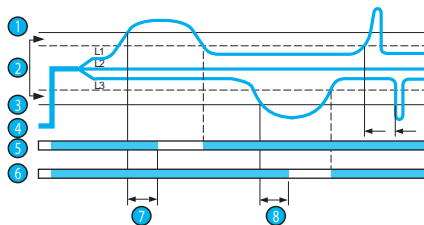
An adjustable time delay from 0.3 to 30s can be used to disable the output relay during a transient fault.

In the event of a voltage fault, the relay opens at the end of the time delay set by the user.

In the event of phase failure, the relay opens instantaneously, without waiting for the end of the time delay.

When the unit is powered up with a measured fault, the relay stays open.

H3US - H3USN - Under/Overvoltage



- 1 Overvoltage
- 2 Hysteresis
- 3 Undervoltage
- 4 Phases L1, L2, L3
- 5 Relay R1
- 6 Relay R2
- 7 Overvoltage threshold delay
- 8 Undervoltage threshold delay

Operating principle

H3US

The relay monitors its own supply voltage.

It controls:

- Undervoltage, adjustable from -2 to -20% of U_n (-2 to -12% over the 3 x 220 V \sim range due to the minimum voltage 194 V \sim)
- Overvoltage, adjustable from +2 to +20% (+2 to +10% over the 3 x 480 V \sim range due to the maximum voltage 528 V \sim).

Each threshold has its own time delay with independent setting between 0.3 and 30 s.

In the event of a voltage fault, the corresponding relay (one undervoltage output/one overvoltage output) opens at the end of the time delay set by the user.

In the event of phase failure, both relays open instantaneously, without waiting for the end of the time delay. The two relay LEDs go out.

H3USN

The relay monitors its own supply voltage.

It controls:

- Presence of the neutral,
- Undervoltage, adjustable from -2 to -20% of U_n ,
- Overvoltage, adjustable from +2 to +20%.

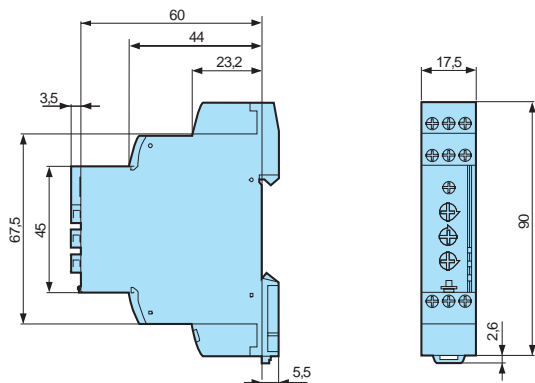
Each threshold has its own time delay with independent setting between 0.3 and 30 s.

In the event of a voltage fault, the corresponding relay (one undervoltage output/one overvoltage output) opens at the end of the time delay set by the user.

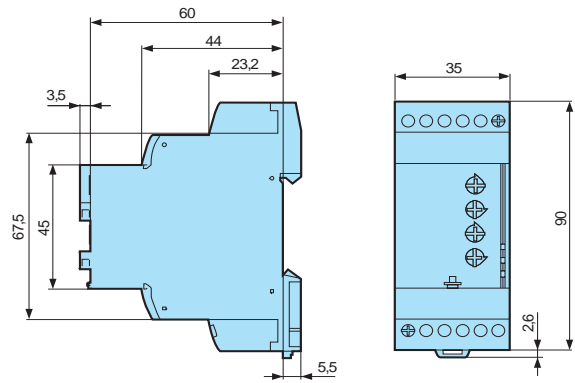
If neutral is lost, both relays open instantaneously and the corresponding LED is extinguished, without waiting for the end of the time delay. The two relay LEDs are extinguished.

Dimensions (mm)

M3US

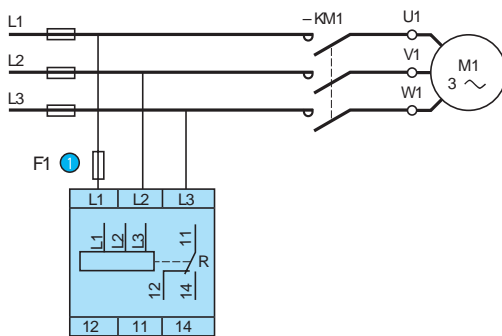


H3US - H3USN



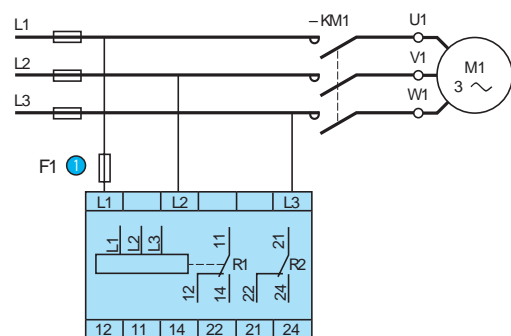
Connections

M3US



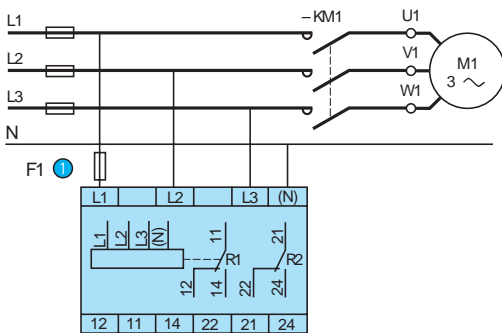
① 100 mA fast-blow fuse or cut-out

H3US - H3USN



① 100 mA fast-blow fuse or cut-out

H3US



① 100 mA fast-blow fuse or cut-out