

› HMI Crouzet Touch

Accessories for Millenium3 and em4

Essential

- › TFT-LCD resistive touch screen
- › Fan less cooling system
- › 32 bit 600 Mhz Cortex-A8 processor
- › Built-in RTC
- › Direct communication with Millenium 3 programming port (dedicated driver for SLin/SLout)
- › Modbus RS485 protocol (dedicated drivers for M3 and em4 controllers)
- › CE mark



CT104



CT107

Specific characteristics		
Part number	88 970 524	88 970 534
Type	CT104	CT107
Size	4.3"	7"
Resolution	480 x 272	800 x 480
Brightness	400 cd/m ²	300 cd/m ²
On front panel color	Pantone Process Black C	
Power consumption	300 mA @ 24 V	500 mA @ 24 V
Colors	16.7 M	16 M
LCD viewing angle (Top/Bottom/Left/Right)	50/70/70/70	70/50/70/70
Processor	32 bit RISC Cortex-A8, 600 MHz	
Storage memory	128 MByte	
RAM memory	128 MByte	
USB	Client micro USB 2.0	Host USB 2.0, Client micro USB 2.0
Ethernet	N/A	
Port RS232	COM1 male	
Port RS485	COM1 2/4 wires male, COM3 2 wires male	COM2 2/4 wires male
UL Certification	N/A	
Weight	Approximately 0,25 kg	Approximately 0,52 kg
Dimensions (W x H x D)	128 x 102 x 32 mm / 5.04 x 4.02 x 1.26"	200.4 x 146.5 x 34 mm / 7.89 x 5.77 x 1.34"
Vesa Mount	N/A	
Panel cutout	119 x 93 mm / 4.69 x 3.66"	192 x 138 mm / 7.56 x 5.43"
PCB Coating	N/A	

General characteristics	
Enclosure	Plastic
Products certification	CE
Nominal voltage	24 VDC (-20 % / +20 %)
Operating limits	19.2 - 28.8 VDC



Power isolation	Yes
Power supply earthing	Yes
Voltage resistance	500 VAC (1 minute)
Isolation resistance	> 50 Mohms at 500 VDC
Vibration endurance	10 → 25 Hz (X,Y,Z direction 2G 30 minutes)
Conducted and radiated emissions	EN 55022: 2010 +AC: 2011 classe A CISPR 22: 2008
Electro-Magnetic Interference, harmonic current	EN 61000-3-2: 2014
Electro-Magnetic Interference, voltage flicker	EN 61000-3-3: 2013
Resistance to electrostatic discharge	Immunity to ESD IEC/EN 61000-4-2: 2008
Resistance to HF interference (Immunity) (EN55024: 2010)	Immunity to radiated electrostatic fields IEC/EN 61000-4-3: 2010 Immunity to fast transients (burst immunity) IEC/EN 61000-4-4: 2012 Immunity to shock waves IEC/EN 61000-4-5: 2014 Radio frequency in common mode IEC/EN 61000-4-6: 2013 Immunity to magnetic field IEC/EN 61000-4-8: 2009
Voltage dip, interruption	IEC/EN 61000-4-11: 2004 IEC/EN 61000-4-11: 2004 Ed 2.0
Protection against electric shock	Classe I equipment
Mount	Built-in, fixing by screw clamps (supplied) for 1 → 6 mm panel
Connection	Removable 3-pin screw terminal block (supplied)
Protection rating	NEMA4 / IP 65 Compliant front panel
Operation temperature	0 (32 °F) → +50 °C (122 °F)
Storage temperature	-20 (-4 °F) → +60 °C (140 °F)
Relative humidity	10 → 90% max. (no condensation or dripping water)

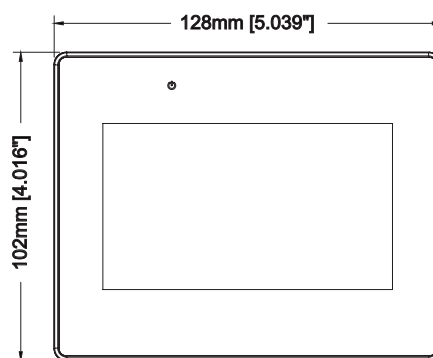
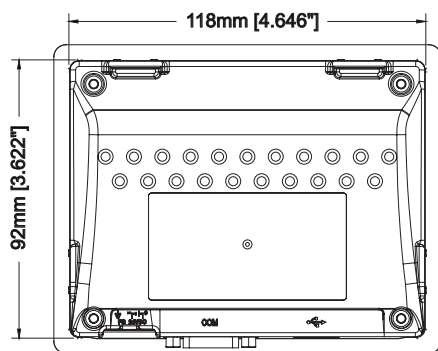
Display

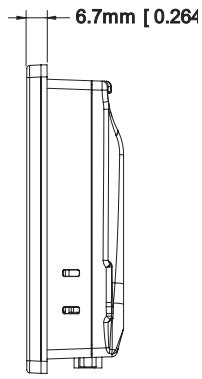
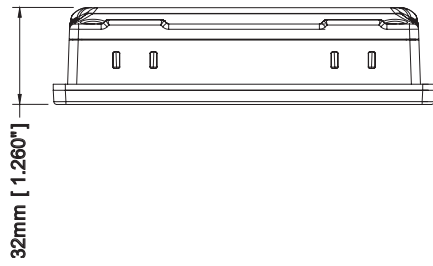
Type	TFT LCD
Contrast ratio	500:1
Backlight type	Led
Backlight life time	> 30.000 Hours
Touch panel: type	4 wires resistive, with user-definable layout
Touch panel: key life	1 million operations minimum
Accuracy	Active Area Length (X) ± 2 %, Width (Y) ± 2 %
Driver Millenium 3	SLIN/SLOUT 24 VDC, XN06
Driver em4	Modbus RS485
Driver Modbus IDA	ASCII, RTU
RTC	Use Millenium 3, em4 or build-in clock
RTC battery	CR2032
RTC time life battery	> 5 years, not rechargeable

Schemes

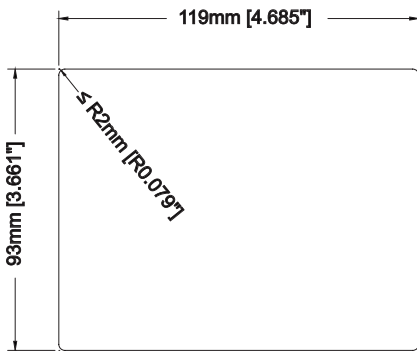
Dimensions

CT104

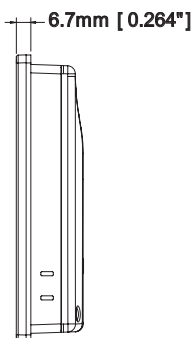
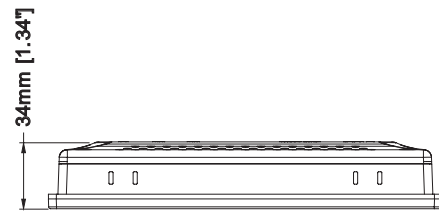
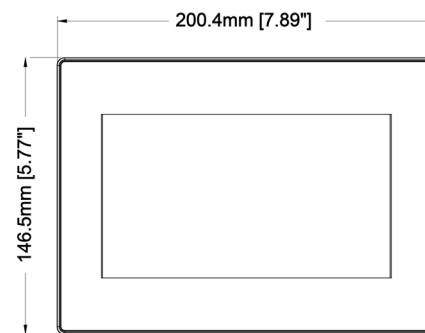
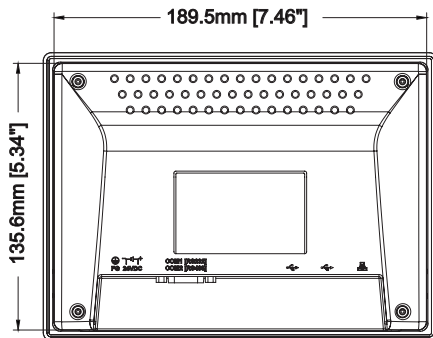




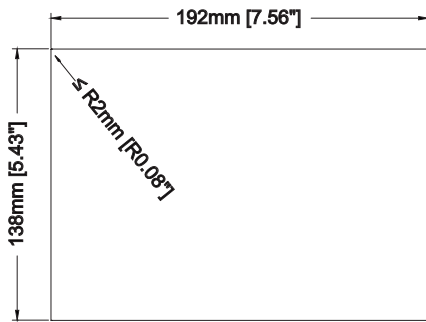
Panel cutout



CT107

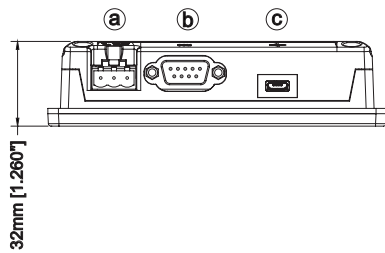


Panel cutout



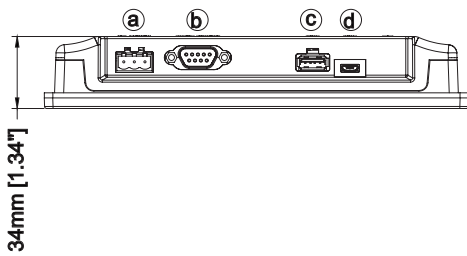
Connections

CT104



- a** Power Connector
- b** COM1 RS232, RS485. COM3 RS485
- c** μ USB

CT107



- a** Power Connector
- b** COM2 RS485. COM3 RS485
- c** USB Host
- d** μ USB