



HVAC Measuring Instruments

Export general catalogue 2013/2014



Pressure / Temperature / Humidity / Air velocity / Airflow / Air quality / Gas analysis / Sound level

New product

Combustion Gas Analysers



TÜV-SÜD Approved
EN50379 - 1&2
(S5.5 / S5.6 / S5.7)



KIGAZ 100/150

**2 interchangeable
sensors**

 Interchangeable sensors
 $O_2 / CO-H_2$

 Sensors protection
 with pump auto-stop

 Data measurement
 print out


Protective
cover for all
models



KIGAZ 200

Up to **3** interchangeable sensors

Interchangeable sensors
O₂ / CO-H₂ / NO / CH₄



CO sensor protection
via solenoid valve

Data measurement
print out



Autozero directly
in the gas flue

Check of DHW (domestic hot water) 2 thermocouple channels

SMART GRAPHIC MENU

KIGAZ 300

Up to **4** interchangeable sensors

Interchangeable sensors
O₂ / CO-H₂ / NO / CH₄ / NO₂ / SO₂



Vocal help

Autozero directly
in the gas flue



CO dilution

Integrated water trap



*High accuracy draft measurement
Airflow measurement of aspiration pump*

Portable Instruments

New generation of portable instruments

- Interchangeable modules
- Wireless and Smart+ probes
- Joystick and metal coated keypad
- Data storage and wireless PC interface
- Ergonomic and user-friendly



Class 100
monofunction



Class 200
multiprobe



Class 300
multifunction



The **+** of class 200



Wireless probes
Wireless connection



Smart+ probes
Automatically recognized by the instrument when connected



Interchangeable modules
Several measuring ranges with one instrument

8,000 measurement points
PC interface

Modules

1. Climatic conditions
2. Thermocouple
3. Pressure
4. Current/Voltage



Air quality

AQ 100/200

CO : 0 to 500 ppm
CO₂ : 0 to 5,000 ppm
-20 to +80°C
5 to 95 %RH
800 to 1,100 hPa



Manometers

MP 100/115/130/200

-10,000 to +10,000 Pa
-2,000 to +2,000 mbar
-1,000 to +1,000 mmH₂O
CO : 0 to 500 ppm
Special gas network sealing and atmospheric pressure



Anemometers

LV 100/130 - VT 100/200

Ø14, Ø70, Ø100 mm vane probes
0.15 to 30 m/s
-20 to +80°C
0 to 99,999 m³/h
Hotwire probe



Hygrometers

HD 100/200

3 to 98 %RH
-40 to +180°C
-50 to +80°C_{td}



HD 150

Special food industry
Waterproof cover

5 to 95 %RH
-20 to +70°C
-40 to +70°C_{td}



Tachometer

CT 100

Optical : 60 to 60,000 rpm
Contact : 30 to 20,000 rpm



Accessories



1. Data processing software
2. Protective cover
3. Aluminium transport case
4. Salt solutions
5. Soft transport case
6. Special gas network kit





AMI

Multifunction

Temperature Pressure Tachometry
 Humidity Air velocity Airflow



- Storage of up to 12,000 measurement points
- Evolutive and accurate
- Wireless and Smart+ probes
- Interchangeable modules
- Large colour graphic display



<i>Manometer</i>	<ul style="list-style-type: none"> • -10,000 to +10,000 Pa, -2,000 to +2,000 mbar. • 2 to 100 m/s and 0 to 99,999 m³/h.
<i>Thermometer</i>	<ul style="list-style-type: none"> • -50 to +250°C. • K : -200 to +1,300°C, J : -100 to +750°C, • T : -200 to +400°C.
<i>Thermo-hygrometer</i>	<ul style="list-style-type: none"> • 3 to 98 %RH and -40 to +180°C.
<i>Vane thermo-anemometer</i> Ø14, Ø70, Ø100 mm	<ul style="list-style-type: none"> • 0.25 to 35 m/s. • 0 to 99,999 m³/h.
<i>Hotwire thermo-anemometer / Omnidirectional probe</i>	<ul style="list-style-type: none"> • 0.15 to 30 m/s. • 0 to 99,999 m³/h.
<i>Tachometer</i>	<ul style="list-style-type: none"> • 60 to 60,000 rpm and 30 to 20,000 rpm.
<i>Climatic conditions</i>	<ul style="list-style-type: none"> • -20 to +80°C, 5 to 95 %RH and 800 to 1,100 hPa.
<i>Multifunction</i>	<ul style="list-style-type: none"> • 0.15 to 30 m/s, 5 to 95 %RH and -20 to 80°C.
<i>Current/voltage</i>	<ul style="list-style-type: none"> • 0 to 2.5 V, 0 to 10 V and 0 to 4-20 mA.
<i>Air quality</i>	<ul style="list-style-type: none"> • CO : 0 to 500 ppm, CO₂ : 0 to 5,000 ppm, • -20 to +80°C and 5 to 95 %RH.

Airflow meter & Pitot Tubes

NEW PRODUCT


**A solution for airflow
commissioning & balancing**

DBM 610

From 40 to 3500 m³/h or 24 to 2060 cfm
Simultaneous display of airflow and temperature

Quick and simple hood change
4 other hoods are available
as options:

- 720x720 mm
- 420x1520 mm
- 720x1320 mm
- 1020x1020 mm

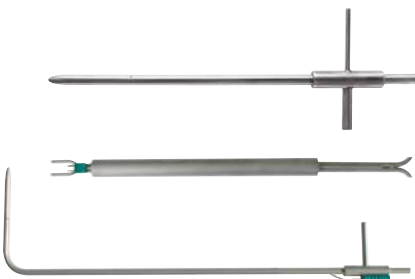
**Thermo-anemo-
manometer functions**
with Pitot tube



Check air volume of your
diffusers and vents

Pitot Tubes

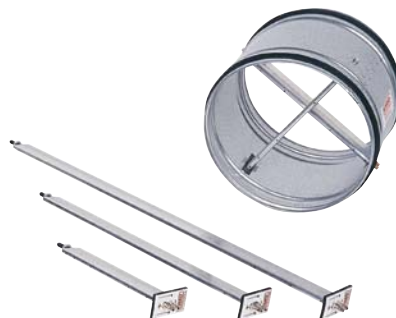
**With or without temperature
compensation**
20 sizes from 100 to 3,000 mm



Airflow blades

DEBIMO

Size from 100 to 3,000 mm



Airflow cones

K25/35/75/85/120/150

For hotwire and vane anemometers
To measure direct airflow in fans
and HVAC systems



Sound level meters & Solarimeters

Sound level meters

DB 100/200/300

Class 1 and 2 sound level meters as per international standards

20 to 137 dB
Frequency weighting A, C, Z



Noise dosimeters

DS 200/300

For the measurement of noise exposure at workstation

Detection and peak counting:
135 dB - 137 dB - 140 dB
Daily sound exposure level: Lex,d
Data processing software



Luxmeters

LX 100/200

Light measurement

0.1 to 200,000 lux
0.01 to 18,585 fc
Data processing software



Solarimeters

CR 110 - SL 100/200

**Portable or fixed installation
To control photovoltaic
and thermal installations**
1 to 1,500 W/m²



Thermometers



Class 200 - TM 200

- -200 to +1,300°C
- 2 Pt 100 inputs
- 4 thermocouple inputs
- 8,000 measurement points



Thermocouple module
4 inputs



Class 100

TN 100/TR 100/TK 100

1 or 2 inputs for probes
NTC, Pt 100,
Thermocouple K, J, T, S
-200 to +1,760°C



Class 150

TN 150/TR 150/TK 150

Special food industry
Waterproof cover
1 input for probe
Thermocouple K, J, T, S
NTC, Pt 1000
-200 to +1,760°C



Infrared

KIRAY 100/200/300

Temperature control of surfaces :
burning hot, dangerous or difficult
to access
-50 to +1,850°C



Temperature Probes

Standard or custom-made probes

- Thermocouple, NTC, Pt 100, Pt 1000
- Probes with connection head
- Probes with cable
- Probes with ABS head



Wire probes

PVC/Silicone/Teflon®/ Glass silk cable

Stainless steel hose
Wire mounting : 2, 3, 4 wires
(single pair or multipair)



Connection head

Alu/Noryl/Stainless steel head

Stainless steel, heat resisting steel
or mineral insulated sheath, Alard
coating...
Single pair or multipair

ABS head

Duct mount, remote or ambient probe

Pt 100, 0-10 V, 4-20 mA



Accessories

- Converters/transmitters
- Thermowell
- Thermocouple connectors
- Brackets and support wall fixing

- Adjustable ring
- PVC, silicone, Teflon® cable
- Stainless steel hose
(with or without shielding)



NEW PRODUCT

Sensors Transmitters



**Configurable
outputs**



**RCR
relay**



**IP65
Waterproof
ABS housing**



**1 or 2 analogue
outputs**

Industry, service, food industry

- For air processing
- Dip switch and software configuration
- Power supply: 24 V / 115 V / 230 V
- Outputs: 4-20 mA/0-20 mA or 0-10 V/0-5 V



Class 210



Class 110



INNOVATION

Simplified calibration

Electronic board and measuring element connected to the front side of the sensor, which allows to configure and calibrate your device without causing any damage.

Monostats

PST/HST/TST/COST/CO2ST

1 RCR relay

From ± 100 Pa to $\pm 2,000$ mbar
 From 5 to 95 %RH
 From -100 to $+400^\circ\text{C}$
 CO: 0 to 500 ppm
 CO₂: 0 to 5,000 ppm



Class 110 - Monofunction

CP / HM / TH / TM / CTV / CR / LR / CO

1 or 2 analogue outputs

From ± 100 Pa to $\pm 2,000$ mbar
 Atmospheric pressure: 800 to 1,100 hPa
 From 5 to 95 %RH
 From -100 to $+400^\circ\text{C}$

From 0 to 30 m/s
 From 0 to 1,500 W/m²
 From 0 to 10,000 lux
 CO: 0 to 500 ppm
 CO₂: 0 to 5,000 ppm



NEW

CO/CO₂ sensors

KIMO designed CO/CO₂ transmitters in order to meet with requirements of new norms and decrees on air quality.



Multifunction

Class 210

CP / TH / TM / CTV / COT

2 analogue outputs

Calculation functions

Automatic autozero

From ± 100 Pa to $\pm 2,000$ mbar
 From 5 to 95 %RH
 From -100 to $+400^\circ\text{C}$
 From 0 to 30 m/s
 CO: 0 to 500 ppm
 CO₂: 0 to 5,000 ppm



SQR/3 option

Connected to DEBIMO measuring blades, CP 210 can control air velocity and airflow in a duct, from differential pressure.

Class 300

Sensors

TH 300/CP 300/CTV 310

0/+10 Pa to -10,000/+10,000 Pa
 0-1 m/s to 0-30 m/s
 0 to 100 %RH
 -40 to +180°C

Resolution



MODBUS



system

SQR2 option

Connected to DEBIMO measuring blades, with SQR2 function, CP300 can control air velocity and airflow in a duct, from differential pressure.



The of class 300

- Configuration via keypad, remote control or software
- Interchangeable measurement sensors
- Advanced calculation functions
- Display 4 parameters simultaneously
- RS232 and RS485 communication (Modbus system)
- Output : 4-20 mA or 0-10 V



Displays

Large display

ATT 300

Work with any current or voltage input of any transmitter : pressure, humidity, temperature, airflow, air velocity...



Multi-channel

Flush-mount ATE 300

Display 3 parameters
 Can be flush-mounted or wall mounted





Flush-mount

Pressure transmitter

CPE 300

Special for clean room
Front calibration
RS485
0/+10 Pa to -1,000/+1,000 Pa

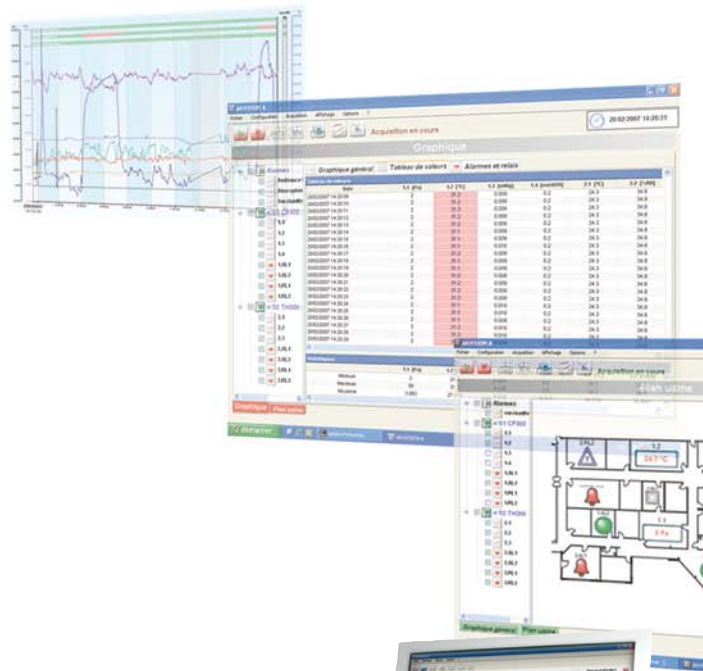


Data acquisition system

Akivision / Akivision 21CFR

CONFIGURE / DISPLAY / PROCESS / EXPORT DATA

Easy setup, efficient monitoring of air movement condition, clean and cold rooms, test benches...



New product

Wireless Dataloggers



1 or 2-line display or without display



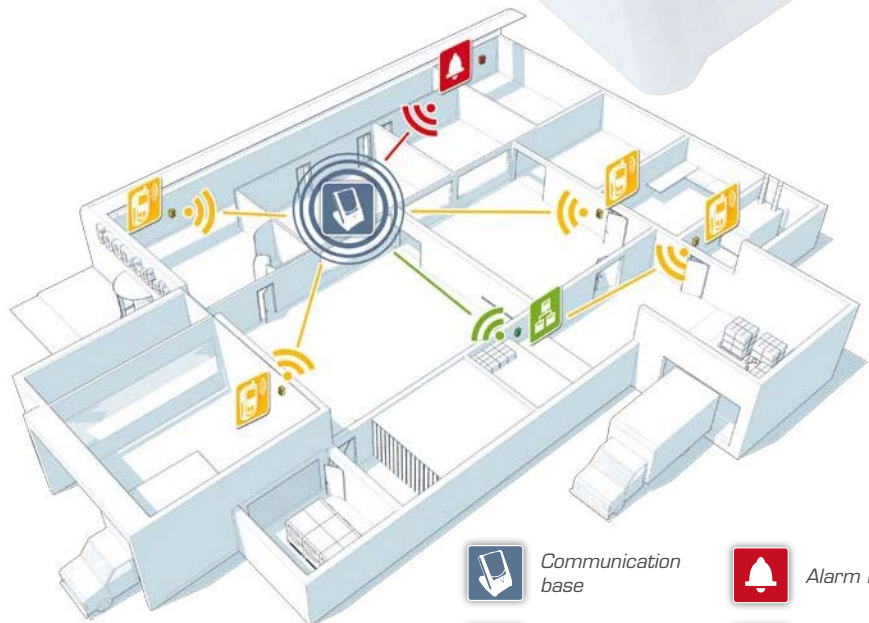
KISTOCK RF

- Measuring, recording and data processing
- Remote configuration
- Storage of up to 20,000 measurement points
- Up to 100 dataloggers in network



KIMO exclusivity

Pressure datalogger
 KP 110-RF / KP 111-RF
 -1,000 to +1,000 Pa
 -10,000 to +10,000 Pa



Communication base



Alarm box



Wireless datalogger



Network extender

Class 100

KT 110-RF / KT 150-RF / KP 110-RF

Up to 1 input for external probe

-40 to +70°C
0 to 20 mA / 0 to 10 V
-1,000 Pa to +1,000 Pa
-10,000 Pa to +10,000 Pa



Class 200

KH 210-RF / KTU 210-RF

Up to 2 inputs for external probes

Standard or remote probe
-40 to +180°C / 0 to 100 %RH
0 to 20 mA / 0 to 10 V
0 to 20 A / 0 to 600 A



Class 300

KTR 310-RF / KTT 310-RF

Up to 2 inputs for external probes

Pt 100 remote probe or Thermocouple K, J, T, S
-200 to +1,760°C
0 to 20 mA / 0 to 10 V



Data processing software

KILOG RF

Configure
Measure/record
Download
Process/save

Real-time monitoring
Up to 100 dataloggers in network

+ Accessories

1. Large choice of temperature and hygrometry probes
2. Data collector for mobile data transfer
3. Communication base
4. Alarm box



New product

Dataloggers



1 or 2-line display
or without display

KISTOCK

- Measuring, recording and data processing
- Measurement of 1 to 5 parameters simultaneously
- Storage of up to 100,000 measurement points
- User-friendly configuration with KILOG software
- With or without 1 or 2-line display



HVAC

KH 110/210 - KT 110/210
KTT 310

Up to 4 inputs for external probes
NTC or K, J, T thermocouple
-200 to +1,000°C
5 to 95 %RH
0 to 10,000 lux

Laboratory

KTH 350 - KTR 350

Up to 2 inputs for external probes
Pt 100 external probes
-100 to +400°C
0 to 100 %RH



Food industry

KT 150/250 - KH 250

Up to 4 inputs for external probes
-40 to +120°C
5 to 95 %RH
0 to 10,000 lux

KT 20 G, L, T

-40 to +125°C
Memory: 8,192 points



Data processing software

KILOG / KILOG 21CFR

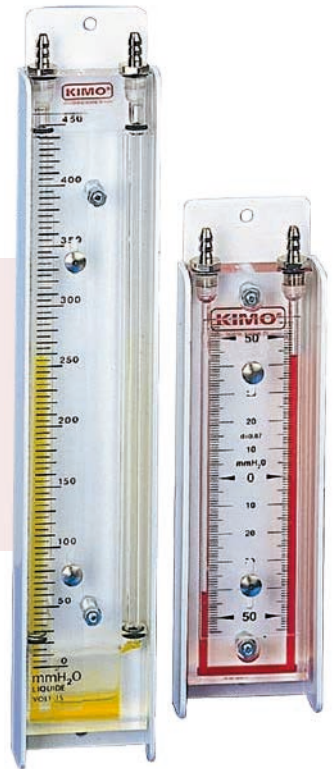
Configuration, data download and data processing



Manometers

Liquid column manometers

- Inclined or vertical
- Slight variations measurement in differential pressure of air or neutral gases
- Air treatment industry, clean rooms...



Vertical

0-100 mmH₂O to 0-2.6 bar
Units : mbar, Pa, DaPa...

Inclined

0-5 to 0-80 mmH₂O
Units : Pa, DaPa...



ECM

0-10 to 300 mmH₂O
Manual adjustable setpoints

+

Accessories

To fit any installation with proper connections :

- Liquid for manometer
- Tubes, junctions
- Pressure connections, wall-crossing connection...

